

[Info]  
PcNo=Y00B3601  
PcName=3TNA72L-UB(K2103)  
JpnUse=1  
JpnSec1=fGf`fWf`  
JpnSec2=-§ -  
JpnSec3=TNA  
JpnPreface=0  
EngUse=1  
EngSec1=ENGINE  
EngSec2=SMALL VERTICAL (YB)  
EngSec3=TNA  
EngPreface=0

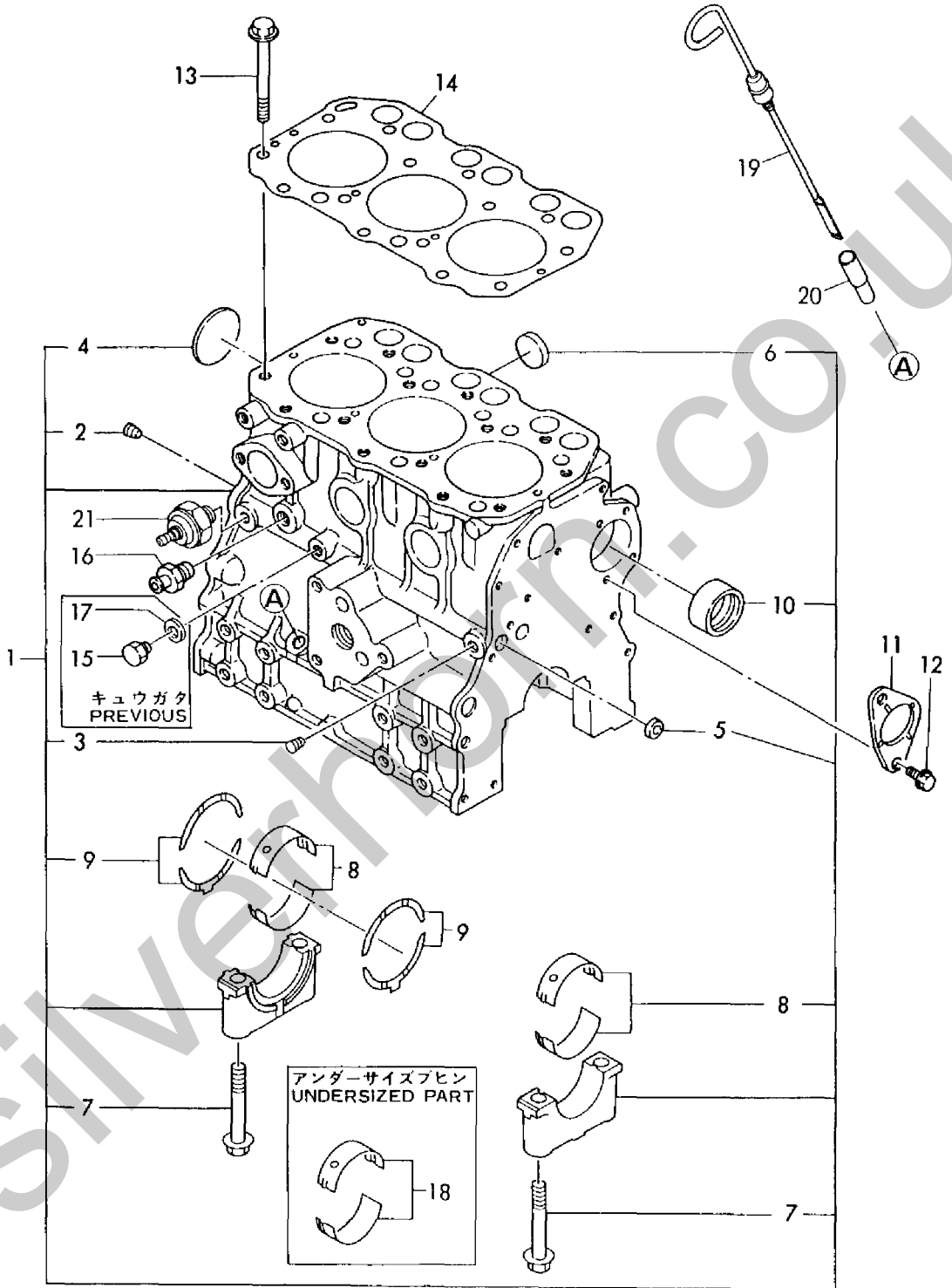
Silverhorn.CO.UK

1,1,,719610-01560,, "BLOCK ASSY, CYLINDER",1,,,,,,,,,,,,,  
2,2,,124160-01910,, "PLUG PT1/4",1,,,,,,,,,,,,,  
2-1,2,,119600-01050,, "PLUG PT1/4",1,,,,,,N,,E14921,,,,,  
3,2,,23871-010000,, "PLUG PT1/8,SCREW",1,,,,,,,,,,,,,  
4,2,,27231-450000,, "PLUG 45",1,,,,,,,,,,,,,  
5,2,,27241-120000,, "PLUG 12",1,,,,,,,,,,,,,  
6,2,,27241-300000,, "PLUG 30",6,,,,,,,,,,,,,  
7,2,,119620-02020,, BOLT,8,,,,,,,,,,,,,  
8,2,,719620-02800,, "MAIN BEARING",4,,,,,,,,,,,,,  
9,2,,719620-02930,, "BEARING, THRUST",2,,,,,,,,,,,,,  
10,2,,119620-02410,, "BUSH, CAMSHAFT",1,,,,,,,,,,,,,  
11,1,,119620-02450,, "BEARING, THRUST",1,,,,,,,,,,,,,  
12,1,,26106-060122,, "BOLT M 6X 12 PLATED",2,,,,,,,,,,,,,  
13,1,,119620-01200,, "BOLT, CYLINDER HEAD",14,,,,,,,,,,,,,  
14,1,,119620-01340,, "GASKET, CYL. HEAD",1,,,,,,,,,,,,,  
14-1,1,,119610-01340,, "GASKET, CYL. HEAD",1,,,,,,R,,\*1985.12,,,,,  
15,1,,119656-01900,, PLUG,1,,,,,,Z,,EXXX,,,,,  
16,1,,121550-49111,, "JOINT PT1/4",1,,,,,,,,,,,,,  
17,1,,104884-59170,, GASKET,1,,,,,,Z,,EXXX,,,,,  
18,1,,719620-02870,, "MAIN BEARING US=0.25",4,,,,,,1,,,,,  
19,1,,119631-34800,, "DIPSTICK, LUB. OIL",1,,,,,,,,,,,,,  
20,1,,121520-34810,, "GUIDE, DIPSTICK",1,,,,,,,,,,,,,  
21,1,,124160-39450,, "SWITCH, OIL PRESSURE",1,,,,,,,,,,,,,

Silverhorn.CO.UK

Fig. 1 シリンダブロック  
CYLINDER BLOCK

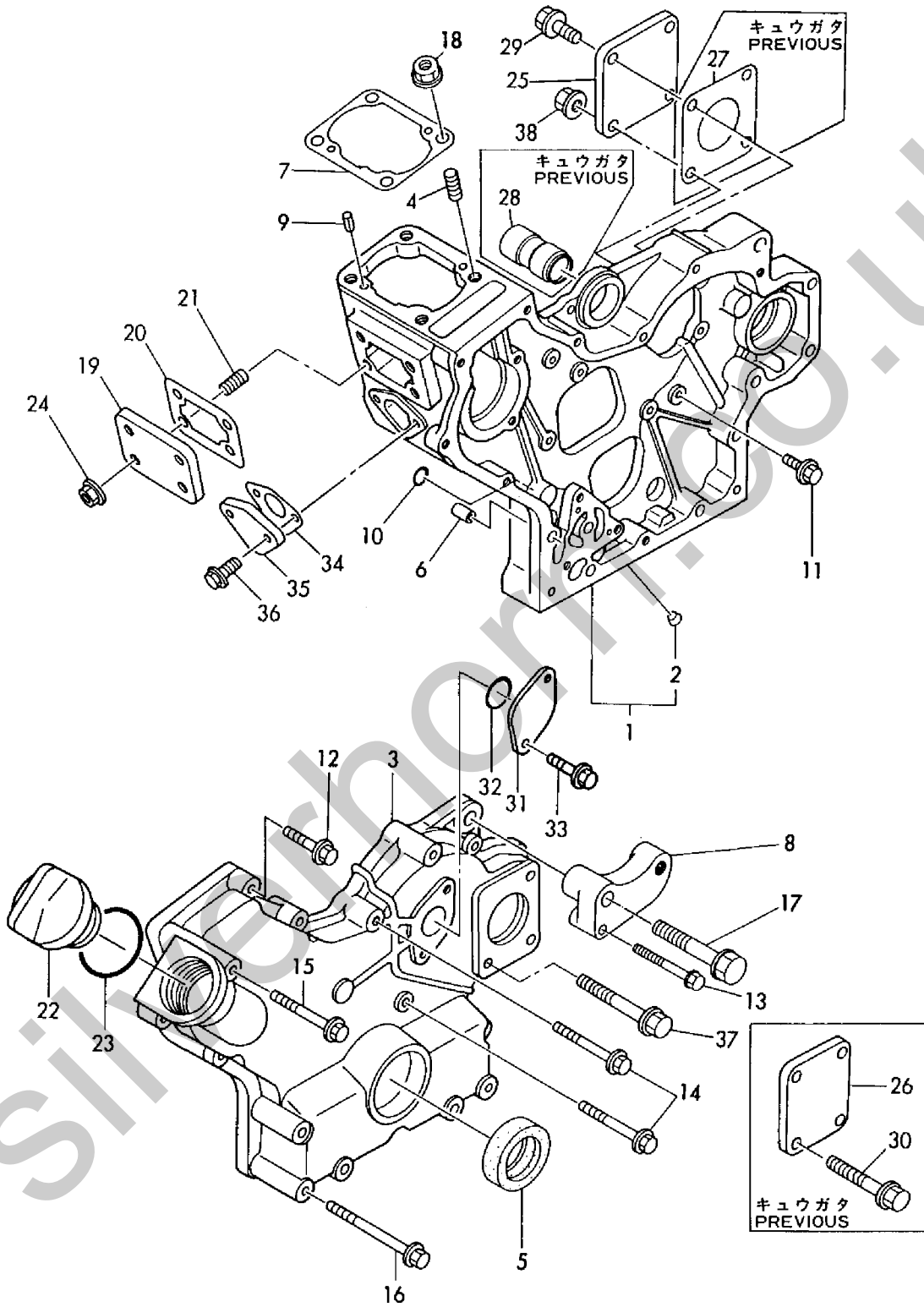
SPEC. CODE D19620-02100  
 D19610-01100 D19631-34100  
 D19600-49300 D19600-39100  
 D19620-02200



1,1,,119660-01492,, "HOUSING ASSY, GEAR",1,,,,,,,,,,,,,  
 2,2,,119660-01510,, "PLUG 10X14",1,,,,,,,,,,,,,  
 3,1,,119660-01521,, "COVER, GEAR HOUSING",1,,,,,,,,,,,,,  
 4,1,,121450-01560,, "STUD M 8X 22",4,,,,,,,,,,,,,  
 5,1,,119620-01800,, "SEAL HTC456208, OIL",1,,,,,,,,,,,,,  
 6,1,,119660-01910,, "PIPE, KNOCK",4,,,,,,,,,,,,,  
 6-1,1,,119660-01911,, "PIPE, KNOCK",4,,,,,N,, EXXX,,,,,  
 7,1,,119620-01950,, "SHIM SET",1,,,,,,,,,,,,,  
 8,1,,119640-77250,, "BRACKET,GENERATOR",1,,,,,,,,,,,,,  
 9,1,,22351-040010,, "SPRING PIN 4X10",2,,,,,,,,,,,,,  
 10,1,,24311-000120,, "O-RING 1A P12",2,,,,,,,,,,,,,  
 11,1,,26106-060162,, "BOLT M 6X 16 PLATED",7,,,,,,,,,,,,,  
 12,1,,26106-060302,, "BOLT M 6X 30 PLATED",5,,,,,,,,,,,,,  
 13,1,,26106-060502,, "BOLT M 6X 50 PLATED",1,,,,,,,,,,,,,  
 14,1,,26106-060602,, "BOLT M 6X 60 PLATED",3,,,,,,,,,,,,,  
 15,1,,26106-060602,, "BOLT M 6X 60 PLATED",1,,,,,,,,,,,,,  
 16,1,,26106-060802,, "BOLT M 6X 80 PLATED",6,,,,,,,,,,,,,  
 17,1,,26106-100602,, "BOLT M10X 60 PLATED",1,,,,,,,,,,,,,  
 18,1,,194990-22050,, "NUT W/WASHER 8",4,,,,,,,,,,,,,  
 19,1,,119660-01551,, "COVER",1,,,,,,,,,,,,,  
 20,1,,119660-01561,, "GASKET, PUMP COVER",1,,,,,,,,,,,,,  
 20-1,1,,119660-01562,, "GASKET, PUMP COVER",1,,,,,N,, E26216,,,,,  
 21,1,,119660-01570,, "STUD M6X12",4,,,,,,,,,,,,,  
 22,1,,124160-01751,, "CAP, LUB.OIL SUPPLY",1,,,,,,,,,,,,,  
 23,1,,121420-01760,, "O-RING",1,,,,,,,,,,,,,  
 23-1,1,,24311-000320,, "O-RING 1A P-32.0",1,,,,,N,, E18986,,,,,  
 24,1,,26366-060002,, "NUT M 6",4,,,,,,,,,,,,,  
 25,1,,124240-01871,, "COVER, HO-P",1,,,,,,,,,,,,,  
 26,1,,124240-01871,, "COVER, HO-P",1,,,,,Z,, EXXX,,,,,  
 27,1,,124240-01882,, "GASKET, HO-P",1,,,,,Z,, EXXX,,,,,  
 28,1,,119621-26140,, "PLUG",1,,,,,Z,, EXXX,,,,,  
 29,1,,26106-080122,, "BOLT M 8X 12 PLATED",1,,,,,,,,,,,,,  
 30,1,,26106-080402,, "BOLT M 8X 40 PLATED",4,,,,,Z,, EXXX,,,,,  
 31,1,,121023-01550,, "COVER, BLIND",1,,,,,,,,,,,,,  
 32,1,,24341-000260,, "O-RING 1A S-26.0",1,,,,,,,,,,,,,  
 33,1,,26106-060182,, "BOLT M 6X 18 PLATED",2,,,,,,,,,,,,,  
 34,1,,121520-01850,, "GASKET, F.FEED PUMP",1,,,,,,,,,,,,,  
 34-1,1,,121520-01851,, "GASKET, F.FEED PUMP",1,,,,,N,, E26216,,,,,  
 35,1,,121520-01860,, "COVER, BLIND",1,,,,,,,,,,,,,  
 36,1,,26106-060162,, "BOLT M 6X 16 PLATED",2,,,,,,,,,,,,,  
 37,1,,26106-080652,, "BOLT M 8X 65 PLATED",3,,,,,W,, EXXX,,,,,  
 38,1,,26366-080002,, "NUT 8",3,,,,,W,, EXXX,,,,,

Fig. 2 ギヤケース  
GEAR HOUSING

SPEC. CODE D19631-01330  
D19640-01200 D19600-01800  
D19600-01300 D19600-52200

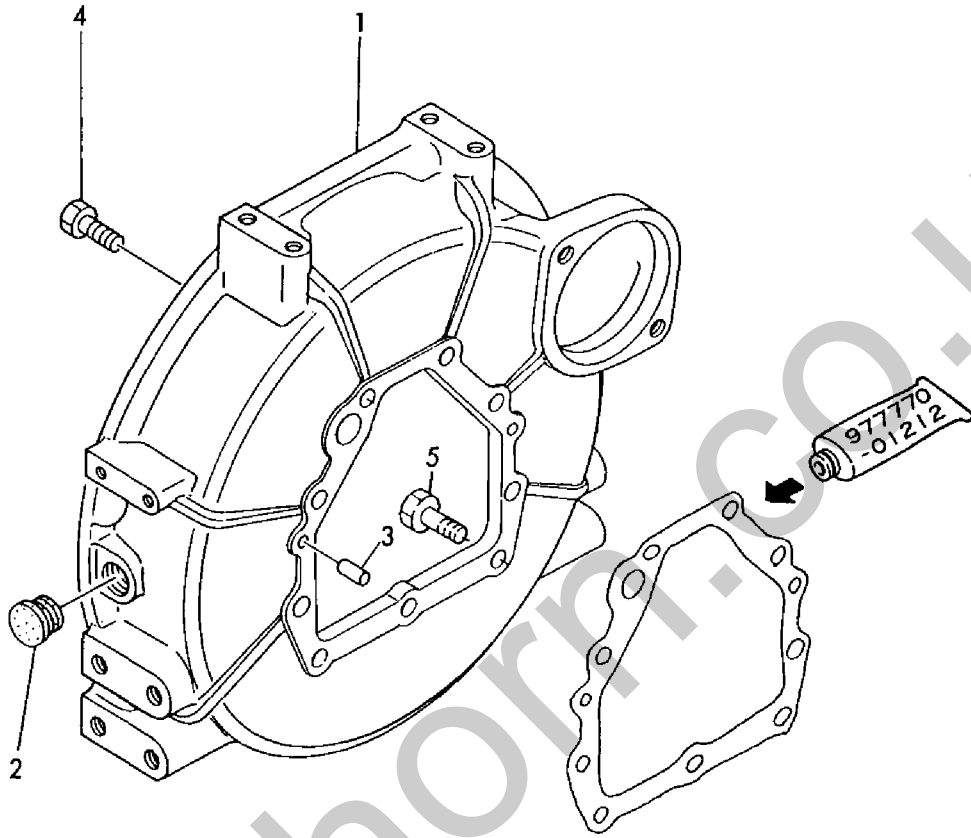


1,1,,119600-01600,, "HOUSING, FLYWHEEL",1,,,,,,,,,,,,,  
2,1,,119620-01750,, "CAP, FLYWHEEL COVER",1,,,,,,,,,,,,,  
3,1,,22312-080160,, "PARALLEL PIN 8X 16",2,,,,,,,,,,,,,  
3-1,1,,129100-01580,, "PARALLEL PIN 8X 16",2,,,,,R,,,,\*1986.09,,,,,  
4,1,,26206-100252,, "BOLT M10X25",6,,,,,,,,,,,,,  
5,1,,121120-01620,, "BOLT M 10X 28",3,,,,,,,,,,,,,

Silverhorn.CO.UK

Fig. **3** マウンティングフランジ  
MOUNTING FLANGE

SPEC. CODE  
D19600-01400



Silverhobby.com.uk

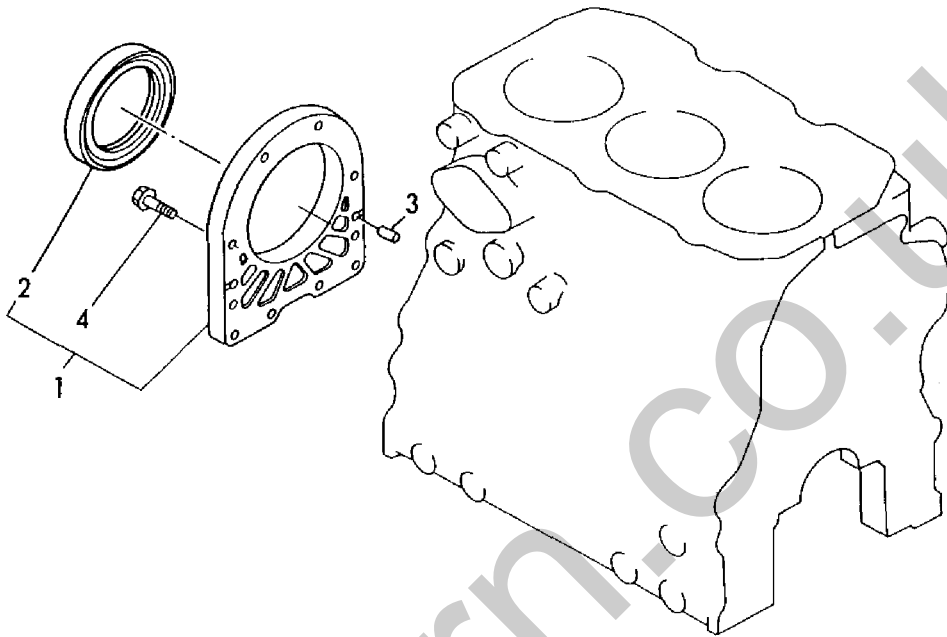
1,1,,119660-01640,, "CASE ASSY, OIL SEAL",1,,,,,W,,,EXXX,,,,,  
1A,2,,119660-01651,, "HOUSING, OIL SEAL",1,,,,,  
1A-1,2,,119660-01652,, "HOUSING, OIL SEAL",1,,,,,N,,,\*1986.06,,,,,  
1A-2,2,,119660-01651,, "HOUSING, OIL SEAL",1,,,,,S,,,E12737,,,,,  
2,2,,124085-02220,, "SEAL, OIL",1,,,,,  
3,1,,22312-060100,, "PIN 6X10,STRAIGHT",2,,,,,  
3-1,1,,119620-01620,, "PARALLEL PIN 6X10",2,,,,,R,,,\*1986.09,,,,,  
4,1,,26106-060202,, "BOLT M 6X 20 PLATED",10,,,,,  
4-1,1,,26106-060222,, "BOLT M 6X 22 PLATED",10,,,,,N,,,\*1986.02,,,,,

Silverhorn.CO.UK



Fig. **4** オイルシールケース  
OIL SEAL HOUSING

SPEC. CODE  
D19600-01500

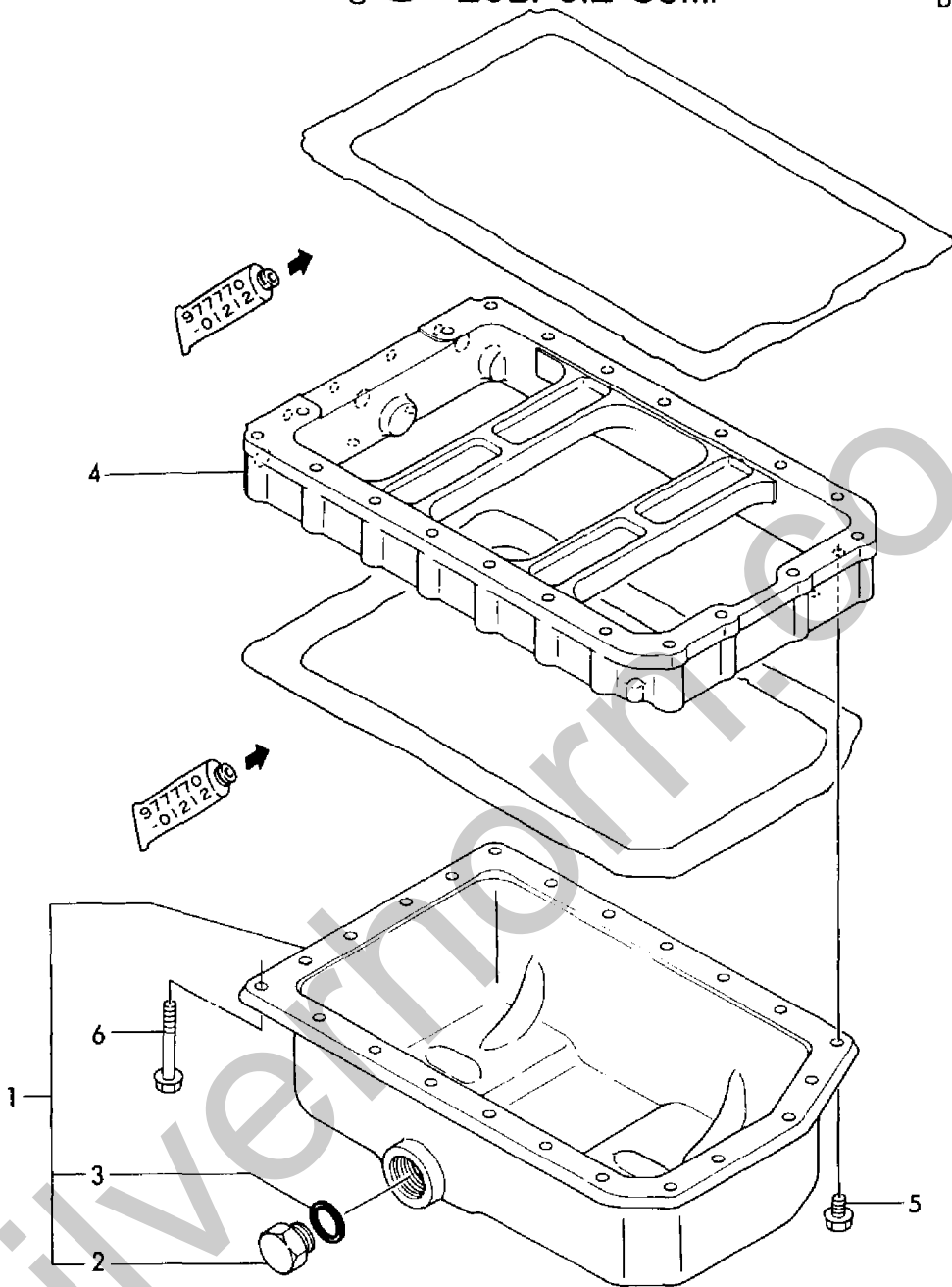


1,1,,719631-01540,, "SUMP ASSY, LUB OIL",1,,,,,,,,,,,,,  
2,2,,171301-01640,, "PLUG M22",1,,,,,,,,,,,,,  
3,2,,24341-000250,, "O-RING 1A S-25.0",1,,,,,,,,,,,,,  
3-1,2,,24341-000240,, "O-RING 1A S-24.0",1,,,,,N,,,,\*1986.03,,,,,  
4,1,,119600-01721,, "SPACER, SUMP",1,,,,,,,,,,,,,  
4-1,1,,119600-01722,, "SPACER, OIL SUMP",1,,,,,N,,,,\*1986.06,,,,,  
5,1,,26106-060122,, "BOLT M 6X 12 PLATED",3,,,,,,,,,,,,,  
6,1,,26106-060452,, "BOLT M 6X 45 PLATED",20,,,,,,,,,,,,,

Silverhorn.CO.UK

Fig. 5 オイルパン  
LUB. OIL SUMP

SPEC. CODE  
D19600-01720

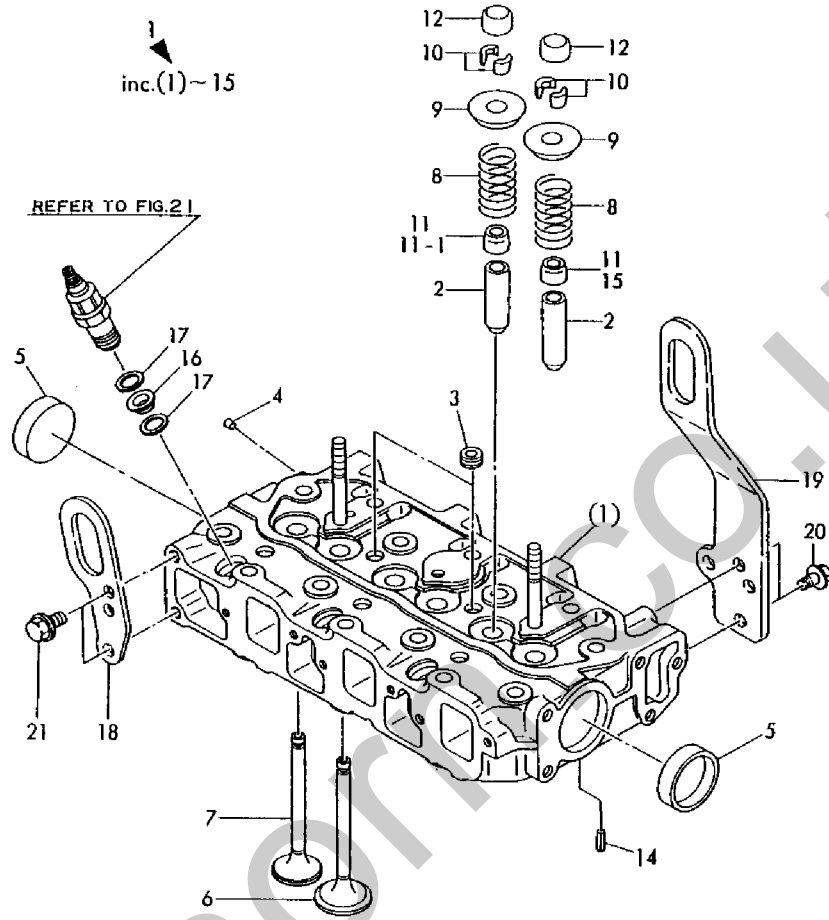


1,1,,719660-11700,, "HEAD ASSY, CYLINDER",1,,,,,,,,,,,,,  
2,2,,119620-11801,, "GUIDE, VALVE",6,,,,,,,,,1,,,,,,,,,  
3,2,,121850-11860,, "PLUG PT1/4",2,,,,,,,,,,,,,  
4,2,,27221-050080,, "PLUG 5X 8",1,,,,,,,,,,,,,  
5,2,,27241-400000,, "PLUG 40",2,,,,,,,,,,,,,  
6,2,,119620-11100,, "VALVE, SUCTION",3,,,,,,,,,,,,,  
7,2,,119620-11110,, "VALVE, EXHAUST",3,,,,,,,,,,,,,  
8,2,,119620-11120,, "SPRING, VALVE",6,,,,,,,,,,,,,  
9,2,,119620-11180,, "RETAINER, SPRING",6,,,,,,,,,,,,,  
10,2,,101158-11190,, "COTTER",6,,,,,,,,,,,,,  
11,2,,124950-11340,, "SEAL, VALVE STEM",6,,,,,,,,,,,,,  
11-1,2,,124950-11340,, "SEAL, VALVE STEM",3,,,,,K,,,,\*1987.04,,,,,  
12,2,,104211-11370,, "CAP, VALVE",6,,,,,,,,,,,,,  
14,2,,22351-060012,, "SPRING PIN 6X12",2,,,,,,,,,,,,,  
15,2,,124160-11340,, "SEAL, VALVE STEM",3,,,,,W,,,,\*1987.04,,,,,  
16,1,,119600-11450,, "PROTECTOR, NOZZLE",3,,,,,,,,,,,,,  
17,1,,119600-11460,, "GASKET, NOZZLE",6,,,,,,,,,,,,,  
18,1,,119260-07900,, "LIFTER, ENGINE",1,,,,,,,,,,,,,  
19,1,,129403-07900,, "LIFTER, ENGINE",1,,,,,,,,,,,,,  
20,1,,26106-080142,, "BOLT M 8X 14 PLATED",2,,,,,,,,,,,,,  
21,1,,26106-080142,, "BOLT M 8X 14 PLATED",2,,,,,,,,,,,,,

Silverhorn.CO.UK

Fig. 6 シリンダヘッド  
CYLINDER HEAD

SPEC. CODE  
D19631-07300  
D19660-11100

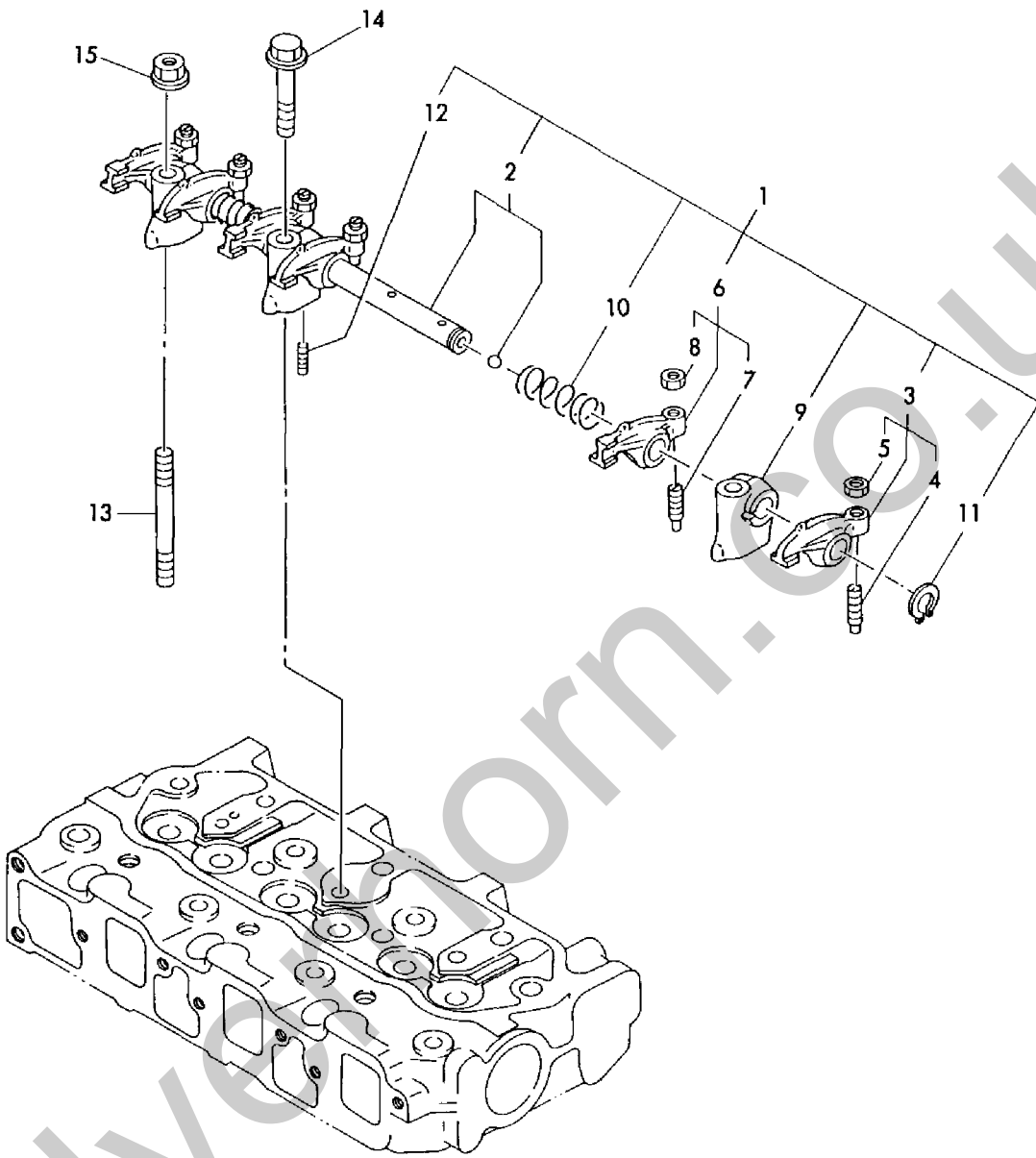


1,1,,119620-11200,, "SUPPORT ASSY, ARM",1,,,,,,,,,,,,,  
2,2,,119620-11240,, "SHAFT ASSY, ROCKER",1,,,,,,,,,,,,,  
3,2,,719620-11650,, "ARM ASSY, ROCKER",3,,,,,,,,,,,,,  
4,3,,105010-11230,, "SCREW, VALVE",3,,,,,,,,,,,,,  
5,3,,26756-060002,, "LOCK NUT M 6 PLATED",3,,,,,,,,,,,,,  
6,2,,719620-11660,, "ARM ASSY, ROCKER",3,,,,,,,,,,,,,  
7,3,,105010-11230,, "SCREW, VALVE",3,,,,,,,,,,,,,  
8,3,,26756-060002,, "LOCK NUT M 6 PLATED",3,,,,,,,,,,,,,  
9,2,,119620-11260,, "SUPPORT, ROCKER ARM",3,,,,,,,,,,,,,  
10,2,,119620-11280,, "SPRING",2,,,,,,,,,,,,,  
11,2,,22242-000120,, "CIRCLIP 12",2,,,,,,,,,,,,,  
12,2,,26979-050162,, "SCREW M 5X16",1,,,,,,,,,,,,,  
13,1,,119620-11350,, "STUD",2,,,,,,,,,,,,,  
14,1,,26106-080452,, "BOLT M 8X 45 PLATED",1,,,,,,,,,,,,,  
15,1,,26366-080002,, "NUT 8",2,,,,,,,,,,,,,

Silverhorn.CO.UK

Fig. 7 ベンワン  
ROCKER ARM

SPEC. CODE  
D19620-11200



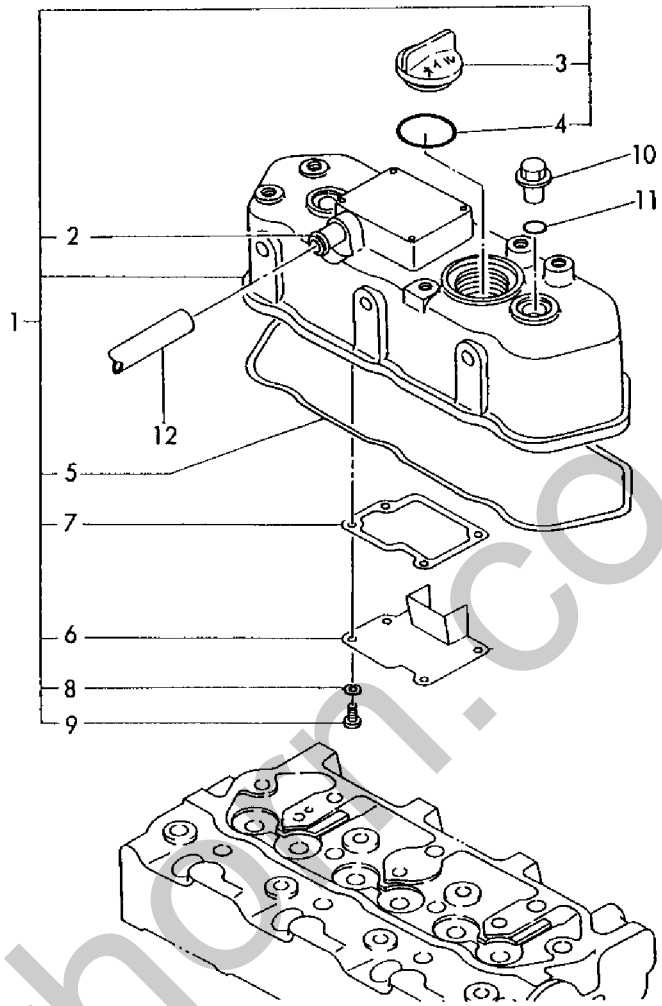
1,1,,719620-11520,, "BONNET ASSY",1,,,,,,,,,,,,,  
1-1,1,,719620-11521,, "BONNET ASSY",1,,,,,N,,E18986,,,,,  
1-2,1,,719620-11522,, "BONNET ASSY, HEAD",1,,,,,N,,EXXX,,,,,  
1-3,1,,719620-11523,, "BONNET ASY, NON-ASB.",1,,,,,N,,E26216,,,,,  
2,2,,119620-11390,, JOINT,1,,,,,,,,,,,,,  
3,2,,124160-01750,, CAP,1,,,,,,,,,,,,,  
3-1,2,,124160-01751,, "CAP, LUB.OIL SUPPLY",1,,,,,N,,\*1986.04,,,,,  
4,2,,121420-01760,, O-RING,1,,,,,,,,,,,,,  
4-1,2,,24311-000320,, "O-RING 1A P-32.0",1,,,,,N,,E18986,,,,,  
5,2,,119620-11310,, "GASKET, BONNET",1,,,,,,,,,,,,,  
6,2,,119620-03020,, "PLATE, SHELTER",1,,,,,,,,,,,,,  
7,2,,119620-03030,, "GASKET, PLATE",1,,,,,,,,,,,,,  
7-1,2,,119620-03031,, "GASKET, PLATE",1,,,,,N,,E26216,,,,,  
8,2,,22217-050000,, "SPRING WASHER 5",4,,,,,,,,,,,,,  
9,2,,26557-050102,, "SCREW M 5X 10",4,,,,,,,,,,,,,  
10,1,,124160-11360,, KNOB,2,,,,,,,,,,,,,  
11,1,,24311-000120,, "O-RING 1A P12",2,,,,,,,,,,,,,  
12,1,,23065-120500,, "PIPE 12X 500",1,,,,,,,,,,,,,

Silverhorn.CO.UK



Fig. 8 ベンワンシツ  
BONNET

SPEC. CODE  
D19620-03100  
D19610-11300



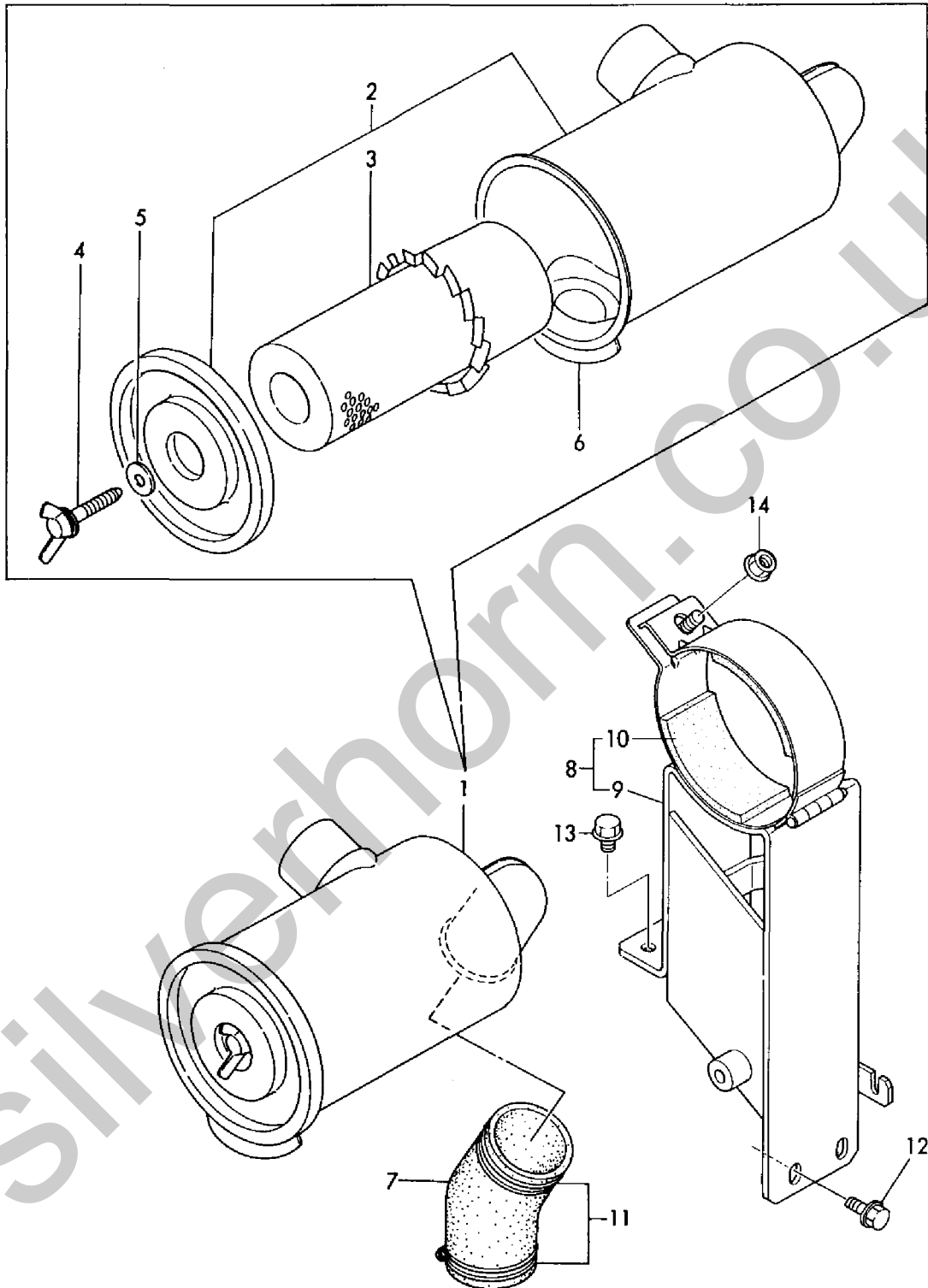
Silverhobby.com.co.uk

1,1,,119654-12500,, "CLEANER, AIR",1,,,,,,,,,,,,,  
2,2,,XX75183164,, "CASE ASSY",1,,,,,,,,,,,,,  
3,2,,119860-12510,, "ELEMENT, AIR CLEANER",1,,,,,,,,,,,,,  
4,2,,119860-12550,, "BOLT, WING",1,,,,,,,,,,,,,  
5,2,,119860-12560,, "WASHER, SEAL",1,,,,,,,,,,,,,  
6,2,,X772035051,, "VALVE, UNLODER",1,,,,,,,,,,,,,  
7,1,,119654-12550,, "PIPE, AIR INTAKE",1,,,,,,,,,,,,,  
8,1,,119631-12590,, "SUPPORT ASSY,CLEANER",1,,,,,,,,,,,,,  
9,2,,119631-12560,, "SUPPORT, AIR CLEANER",1,,,,,,,,,,,,,  
10,2,,119640-12580,, "FELT, SUPPORT",2,,,,,,,,,,,,,  
11,1,,23000-060000,, "CLAMP 60",2,,,,,,,,,,,,,  
12,1,,26014-080202,, "BOLT M 8X 20",2,,,,,,,,,,,,,  
13,1,,26106-100202,, "BOLT M10X 20 PLATED",2,,,,,,,,,,,,,  
14,1,,26366-080002,, "NUT 8",1,,,,,,,,,,,,,

Silverhorn.CO.UK

Fig. 9 エアクリーナ  
AIR CLEANER

SPEC. CODE  
D19631-12100

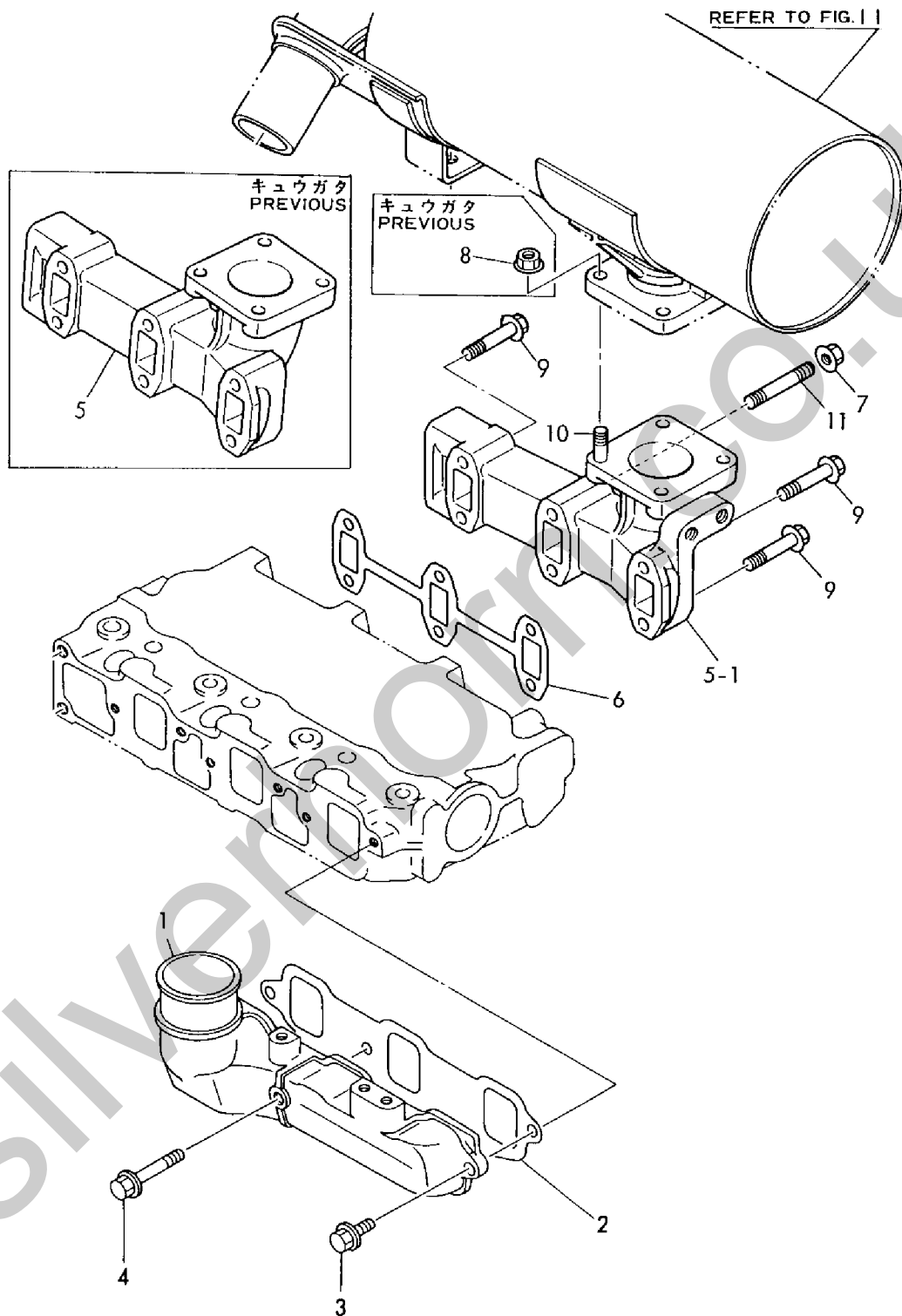


1,1,,119660-12101,, "MANIFOLD,AIR INTAKE",1,,,,,,,,,,,,,  
2,1,,119660-12111,, "GASKET, SUC.MANIFOLD",1,,,,,,,,,,,,,  
3,1,,26106-060162,, "BOLT M 6X 16 PLATED",2,,,,,,,,,,,,,  
4,1,,26106-060402,, "BOLT M 6X 40 PLATED",1,,,,,,,,,,,,,  
5,1,,119631-13100,, "MANIFOLD, EXHAUST",1,,,,,,,,,,,,,  
5-1,1,,119631-13101,, "MANIFOLD, EXHAUST",1,,,,,R,,,,\*1985.11,,,,,  
6,1,,119620-13110,, "GASKET, EXH.MANIFOLD",1,,,,,,,,,,,,,  
7,1,,194990-22050,, "NUT W/WASHER 8",2,,,,,,,,,,,,,  
8,1,,194990-22050,, "NUT W/WASHER 8",4,,,,,Z,,,,E26216,,,,,  
9,1,,26106-080402,, "BOLT M 8X 40 PLATED",4,,,,,,,,,,,,,  
10,1,,26216-080222,, "STUD M 8X 22 PLATED",4,,,,,,,,,,,,,  
11,1,,26216-080552,, "STUD M 8X 55 PLATED",2,,,,,,,,,,,,,

Silverhorn.CO.UK

Fig. **10** キュウハイキマニホルド  
SUCTION & EXHAUST MANIFOLD

SPEC. CODE  
D19660-12200  
D19631-13200

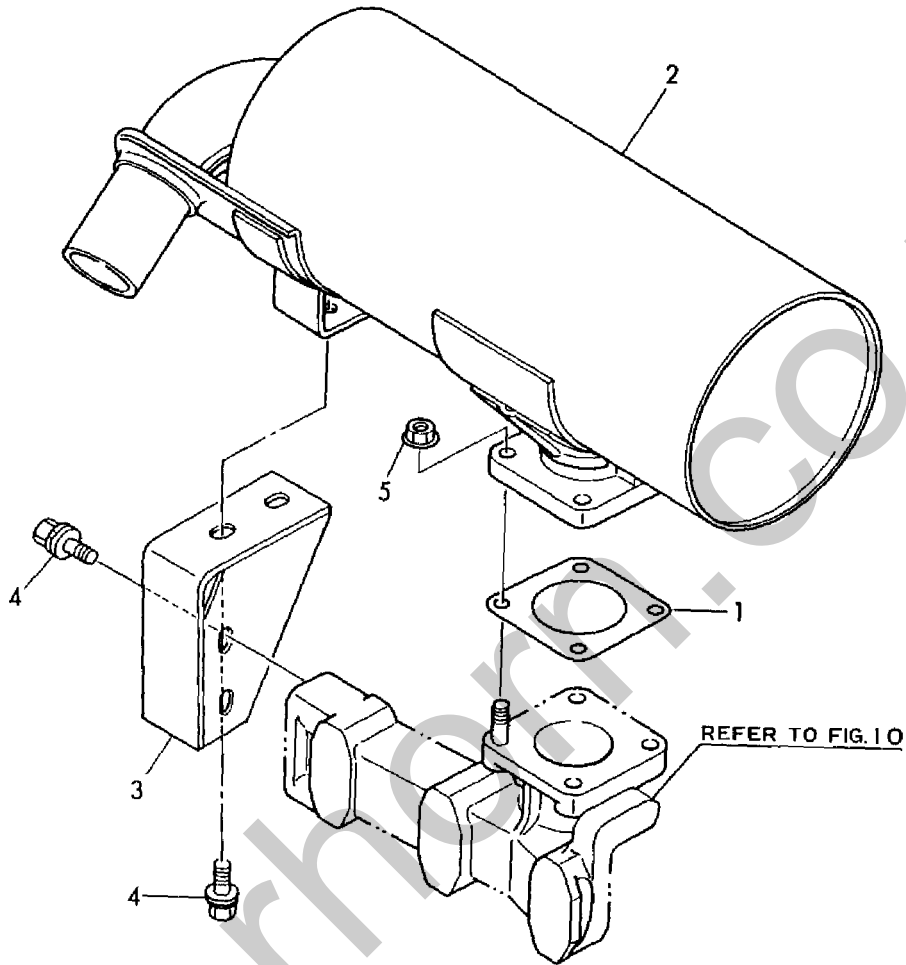


1,1,,124701-11910,, "GASKET, SILENCER",1,,,,,,,,,,,,,  
1-1,1,,124701-11911,, "GASKET, SILENCER",1,,,,,,N,,E26216,,,,,  
2,1,,119631-13500,,SILENCER,1,,,,,,,,,,,,,  
3,1,,119631-13650,, "STAY, SILENCER",1,,,,,,,,,,,,,  
4,1,,26014-080202,, "BOLT M 8X 20",4,,,,,,,,,,,,,  
5,1,,194990-22050,, "NUT W/WASHER 8",4,,,,,,W,,E26216,,,,,

Silverhorn.CO.UK

Fig. 11 サイレンサ  
SILENCER

SPEC. CODE  
D19631-13100



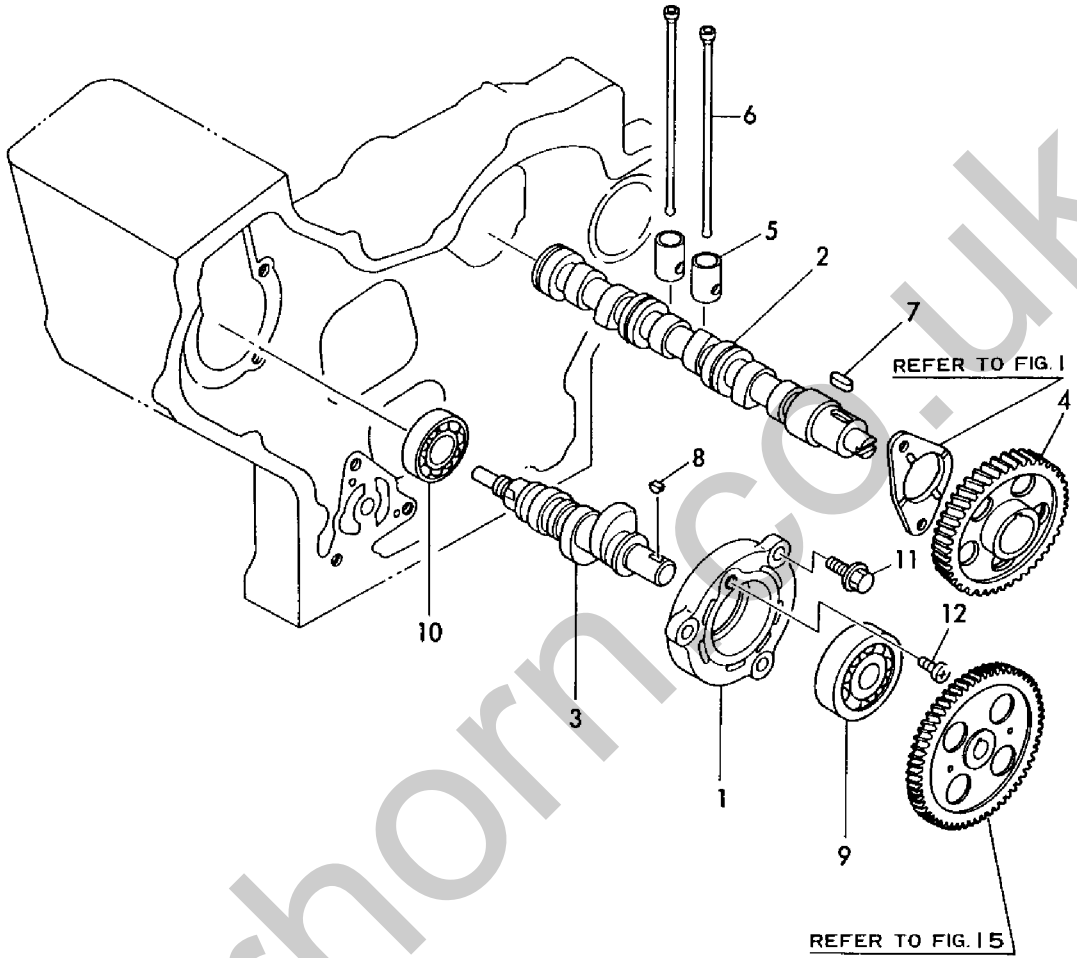
1,1,,119660-01821,,BEARING,1,,,,,,,,,,,,,  
2,1,,119620-14010,,CAMSHAFT,1,,,,,,,,,,,,,  
3,1,,119660-14092,, "CAMSHAFT, F.I. PUMP",1,,,,,,,,,,,,,  
4,1,,119620-14100,, "GEAR, CAMSHAFT",1,,,,,,,,,,,,,  
5,1,,119620-14200,,TAPPET,6,,,,,,,,,,,,,  
6,1,,119620-14400,, "ROD, PUSH",6,,,,,,,,,,,,,  
7,1,,22512-040120,, "KEY 4X 12",1,,,,,,,,,,,,,  
8,1,,22512-040120,, "KEY 4X 12",1,,,,,,,,,,,,,  
9,1,,24101-062034,, "BALL BEARING",1,,,,,,,,,,,,,  
10,1,,24102-063034,, "BALL BEARING 6303U",1,,,,,,,,,,,,,  
11,1,,26106-060162,, "BOLT M 6X 16 PLATED",3,,,,,,,,,,,,,  
12,1,,26587-080102,, "SCREW M 8X 10",1,,,,,,,,,,,,,

Silverhorn.CO.UK



Fig. 12 カムシャフト  
CAMSHAFT

SPEC. CODE  
D19660-14101  
D19260-14200

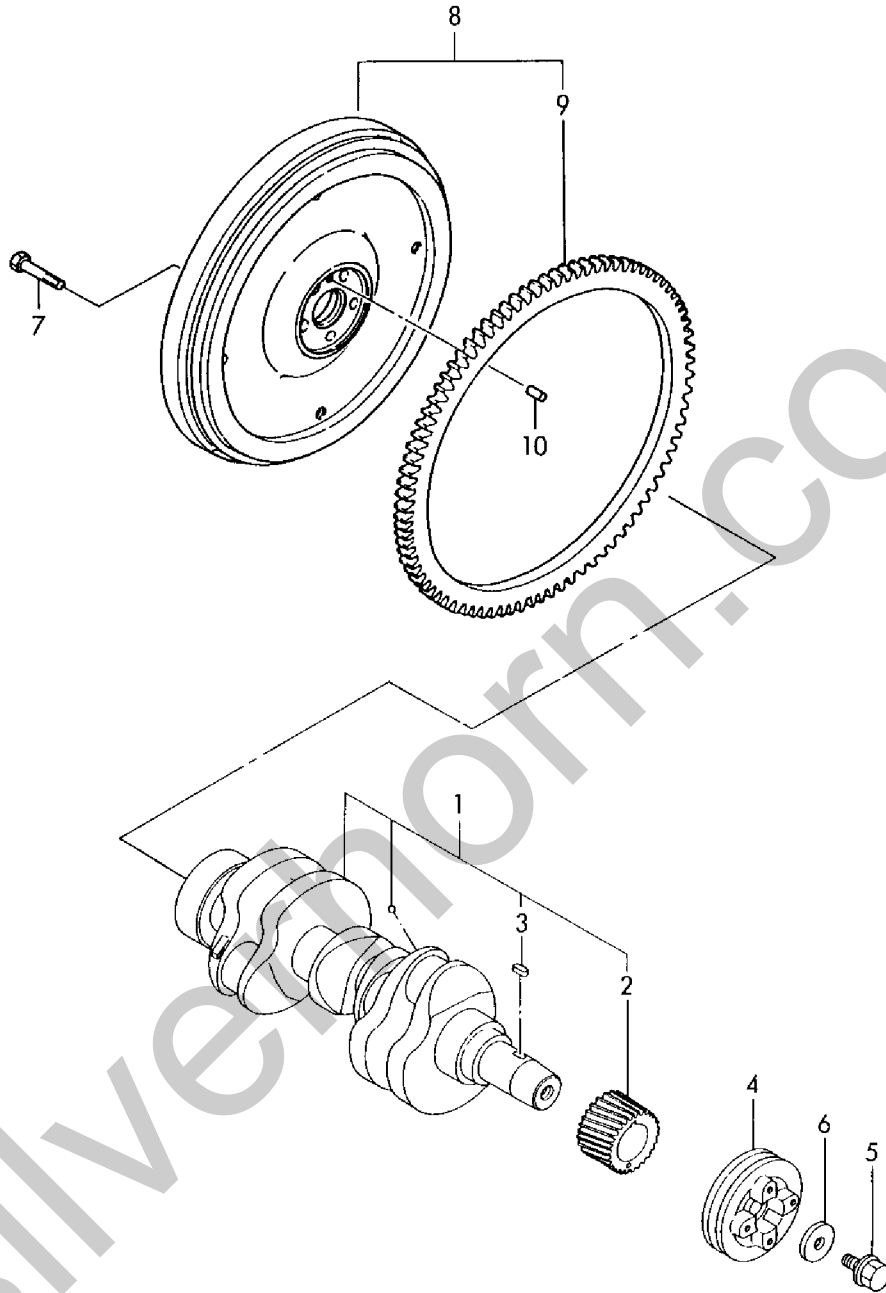


1,1,,719660-21701,, "CRANKSHAFT ASSY",1,,,,,,,,,,,,,  
2,2,,119660-21201,, "GEAR, CRANKSHAFT",1,,,,,,,,,,,,,  
3,2,,22512-040120,, "KEY 4X 12",1,,,,,,,,,,,,,  
4,1,,119660-21651,, V-PULLEY,1,,,,,,,,,,,,,  
5,1,,119621-21680,, "BOLT M12X1.25, FLANGE",1,,,,,,,,,,,,,  
6,1,,119620-21941,, WASHER,1,,,,,,,,,,,,,  
7,1,,121111-21501,, "BOLT, FLYWHEEL",5,,,,,,,,,,,,,  
8,1,,119640-21590,, "FLYWHEEL ASSY",1,,,,,,,,,,,,,  
9,2,,119865-21600,, "GEAR, RING",1,,,,,,,,,,,,,  
10,1,,22312-080160,, "PARALLEL PIN 8X 16",1,,,,,,,,,,,,,  
10-1,1,,129100-01580,, "PARALLEL PIN 8X 16",1,,,,,R,, \*1986.09,,,,,,

Silverhorn.CO.UK

Fig. **13** クランクシャフト & フライホイール  
CRANKSHAFT & FLYWHEEL

SPEC. CODE  
D19660-21101  
D19660-21301  
D19640-21200

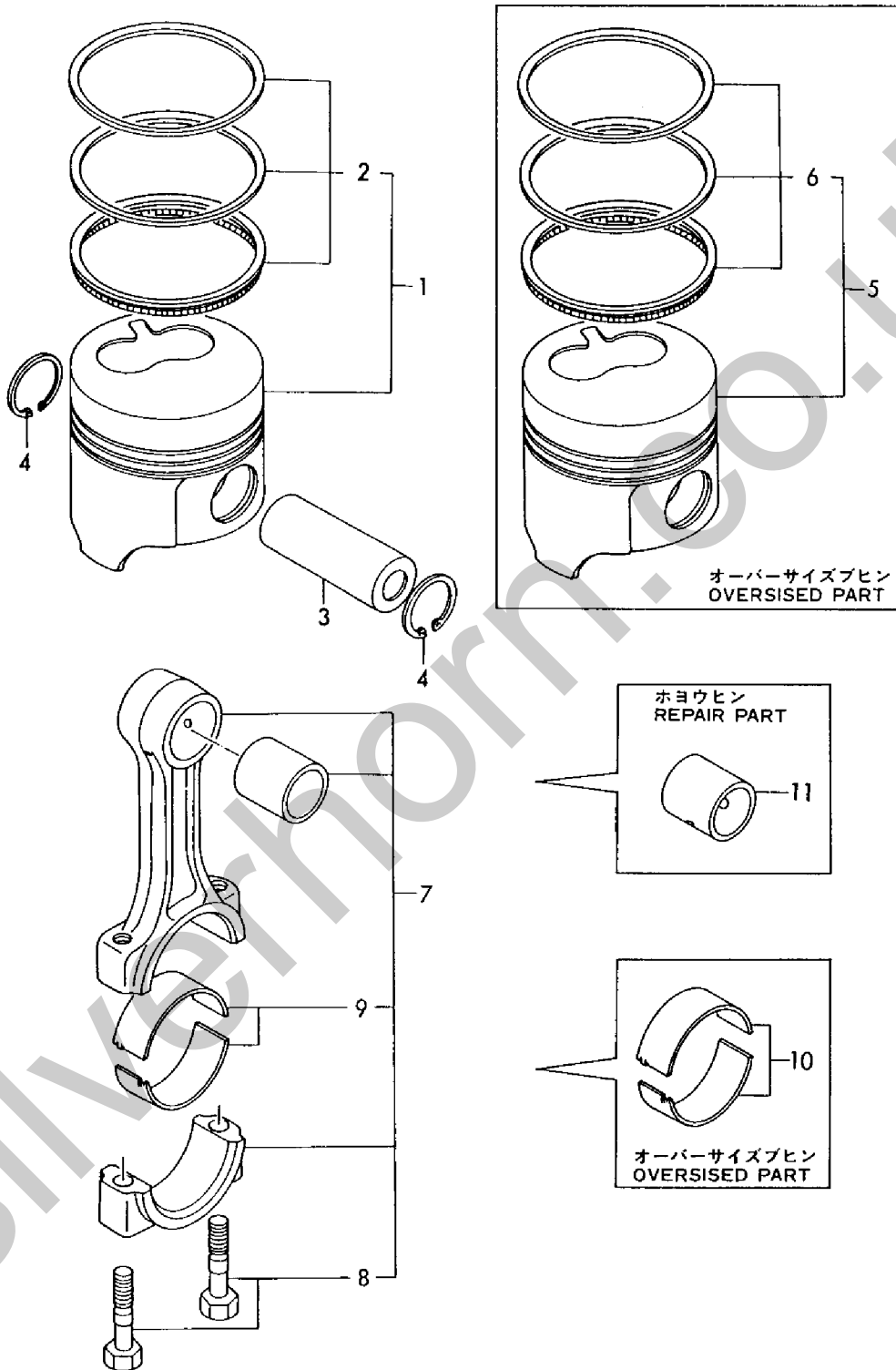


1,1,,119620-22090,, "PISTON W/RINGS",3,,,,,,,,,,,,,  
2,2,,719620-22500,, "RING SET",3,,,,,,,,,,,,,  
2-1,2,,719620-22501,, "RING SET",3,,,,,,N,,,,\*1987.04,,,,,  
3,1,,119620-22300,, "PIN, PISTON",3,,,,,,,,,,,,,  
4,1,,22252-000210,, "CIRCLIP 21",6,,,,,,,,,,,,,  
5,1,,719620-22820,, "PISTON W/RINGS .25OS",3,,,,,,1,,,,,  
6,2,,719620-22540,, "RING SET 0.S=0.25",3,,,,,,1,,,,,  
7,1,,719620-23100,, "ROD ASSY, CONNECTING",3,,,,,,,,,,,,,  
8,2,,105225-23200,, "BOLT, ROD",6,,,,,,,,,,,,,  
9,2,,719620-23600,, "BEARING, CRANKPIN",3,,,,,,,,,,,,,  
10,1,,719620-23610,, "BEARING,PIN U.S=0.25",3,,,,,,2,,,,,  
11,1,,119620-23910,, "BUSH, PISTON PIN",3,,,,,,3,,,,,

Silverhorn.CO.UK

Fig. **14** ピストン&コネクティングロッド  
 PISTON & CONNECTING ROD

SPEC. CODE  
 D19620-22100  
 D19620-23100

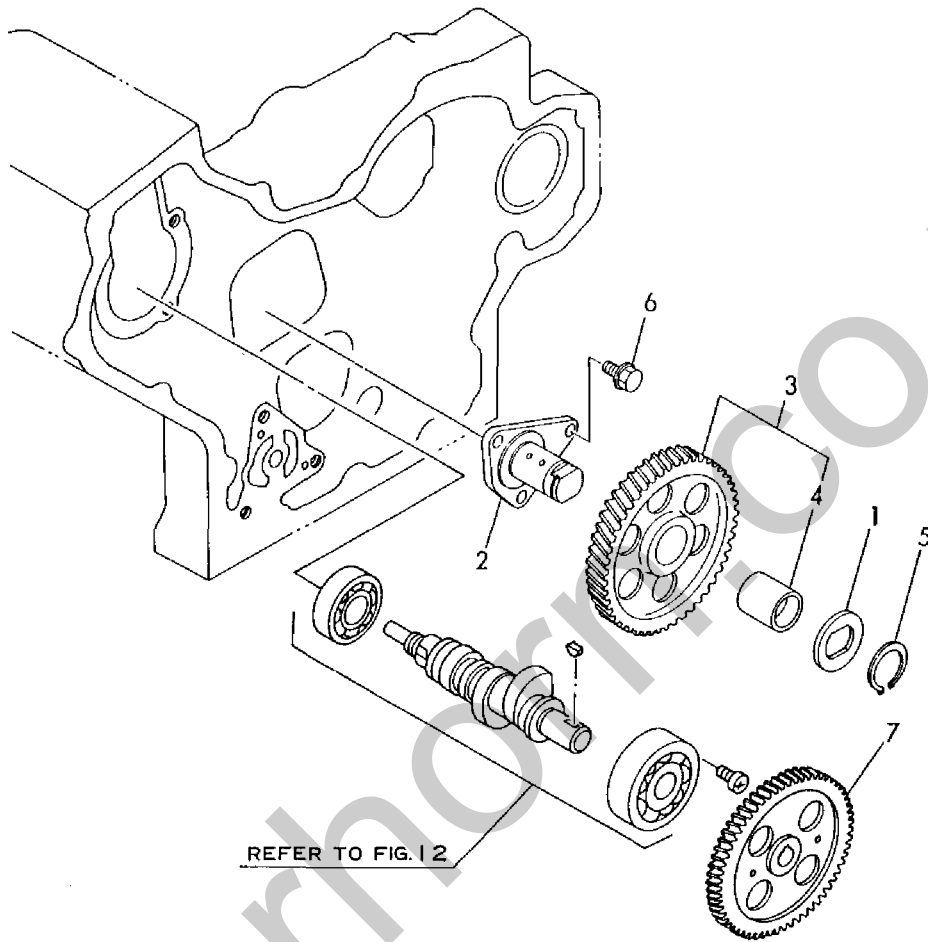


1,1,,119660-25022,, "RETAINER, IDLE GEAR",1,,,,,,,,,,,,,  
2,1,,119660-25052,, "SHAFT, IDLE GEAR",1,,,,,,,,,,,,,  
3,1,,119620-25102,, "GEAR W/BUSH, IDLE",1,,,,,,,,,,,,,  
4,2,,119620-25062,, "BUSH, IDLE GEAR",1,,,,,,,,,,,,,  
5,1,,22242-000200,, "CIRCLIP 20",1,,,,,,,,,,,,,  
6,1,,26106-060122,, "BOLT M 6X 12 PLATED",3,,,,,,,,,,,,,  
7,1,,119660-25902,, "GEAR, F.I. PUMP",1,,,,,,,,,,,,,

Silverhorn.CO.UK

Fig. **15** クドウギヤ  
DRIVING GEAR

SPEC. CODE  
D19660-25101  
D19660-25201



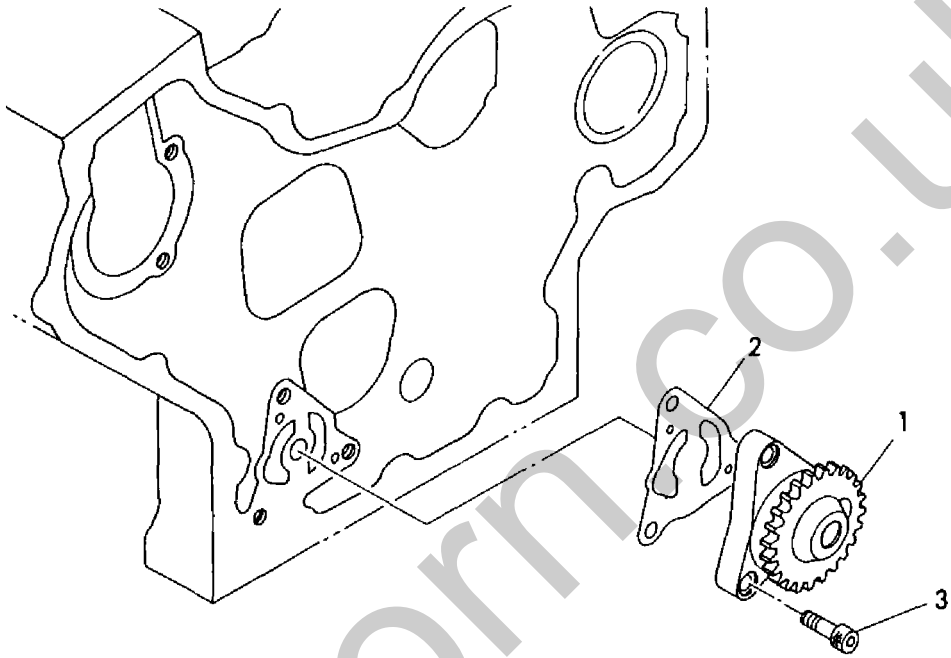
1,1,,119660-32001,, "PUMP ASSY, LUB. OIL",1,,,,,,,,,,,,,  
2,1,,119660-32020,, "GASKET, L.O.PUMP",1,,,,,,,,,,,,,  
3,1,,26450-060202,, "BOLT M 6X 20",3,,,,,,,,,,,,,

Silverhorn.CO.UK



Fig. **16** LOポンプ  
LUB. OIL PUMP

SPEC. CODE  
D19660-32100

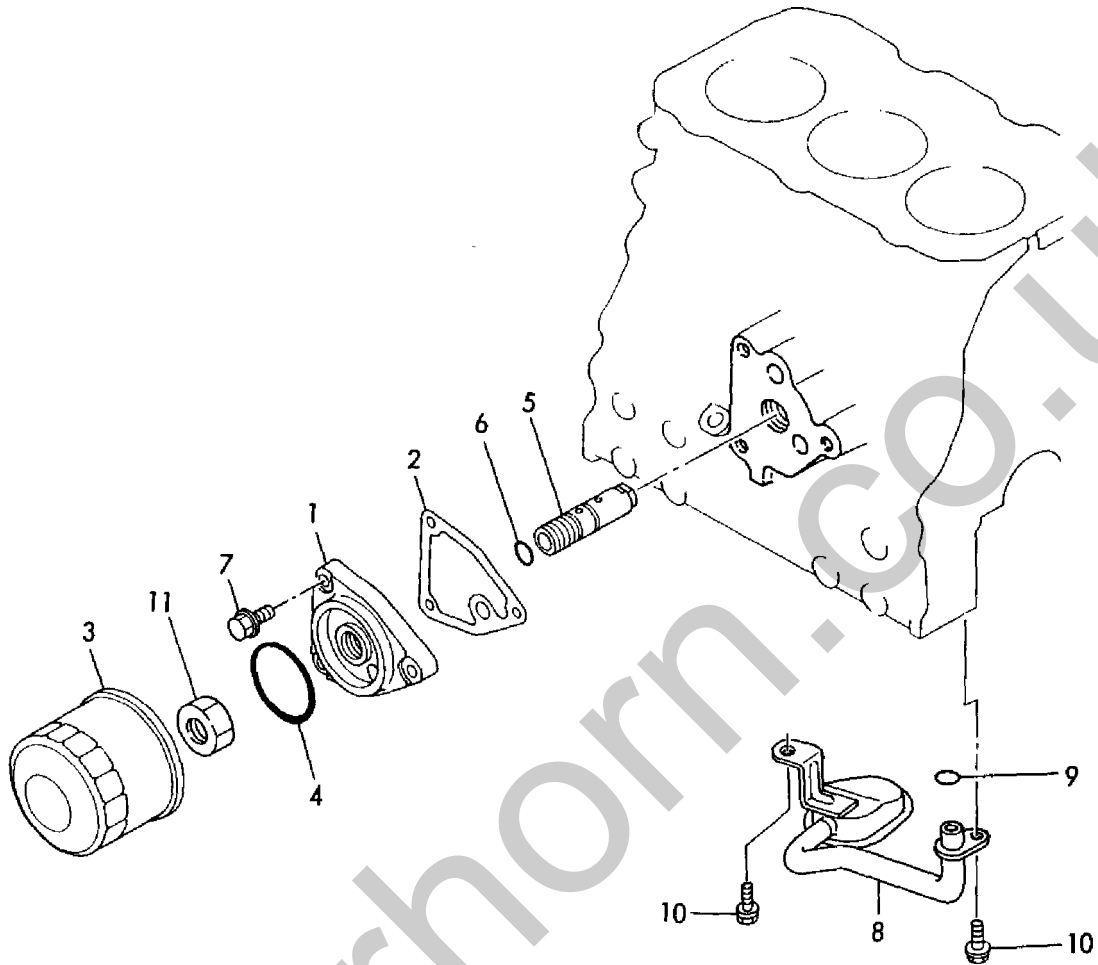


1,1,,119660-35102,, "BRACKET, OIL FILTER",1,,,,,,,,,,,,,  
2,1,,119660-35112,, "GASKET, BRACKET",1,,,,,,,,,,,,,  
2-1,1,,119660-35113,, "GASKET, BRACKET",1,,,,,,N,,,,E26216,,,,,  
3,1,,119660-35150,, "FILTER, LUB. OIL",1,,,,,,,,,,,,,  
4,2,,124450-35110,, "O-RING, L.O.STRAINER",1,,,,,,,,,,,,,  
5,1,,119660-35300,, "VALVE ASSY,OIL PRESS",1,,,,,,,,,,,,,  
6,1,,24311-000160,, "O-RING 1A P-16.0",1,,,,,,,,,,,,,  
7,1,,26106-080202,, "BOLT M 8X 20 PLATED",3,,,,,,,,,,,,,  
8,1,,119600-35081,, "PIPE ASSY, LUB.OIL",1,,,,,,,,,,,,,  
9,1,,24311-000120,, "O-RING 1A P12",1,,,,,,,,,,,,,  
10,1,,26106-060102,, "BOLT M 6X 10 PLATED",2,,,,,,,,,,,,,  
11,1,,129150-35350,, "NUT,1,,,,,,W,,,,\*1986.04,,,,,,,"

Silverhorn.CO.UK

Fig. **17** LOフィルタ  
LUB. OIL STRAINER

SPEC. CODE  
D19600-35100  
D19600-35210

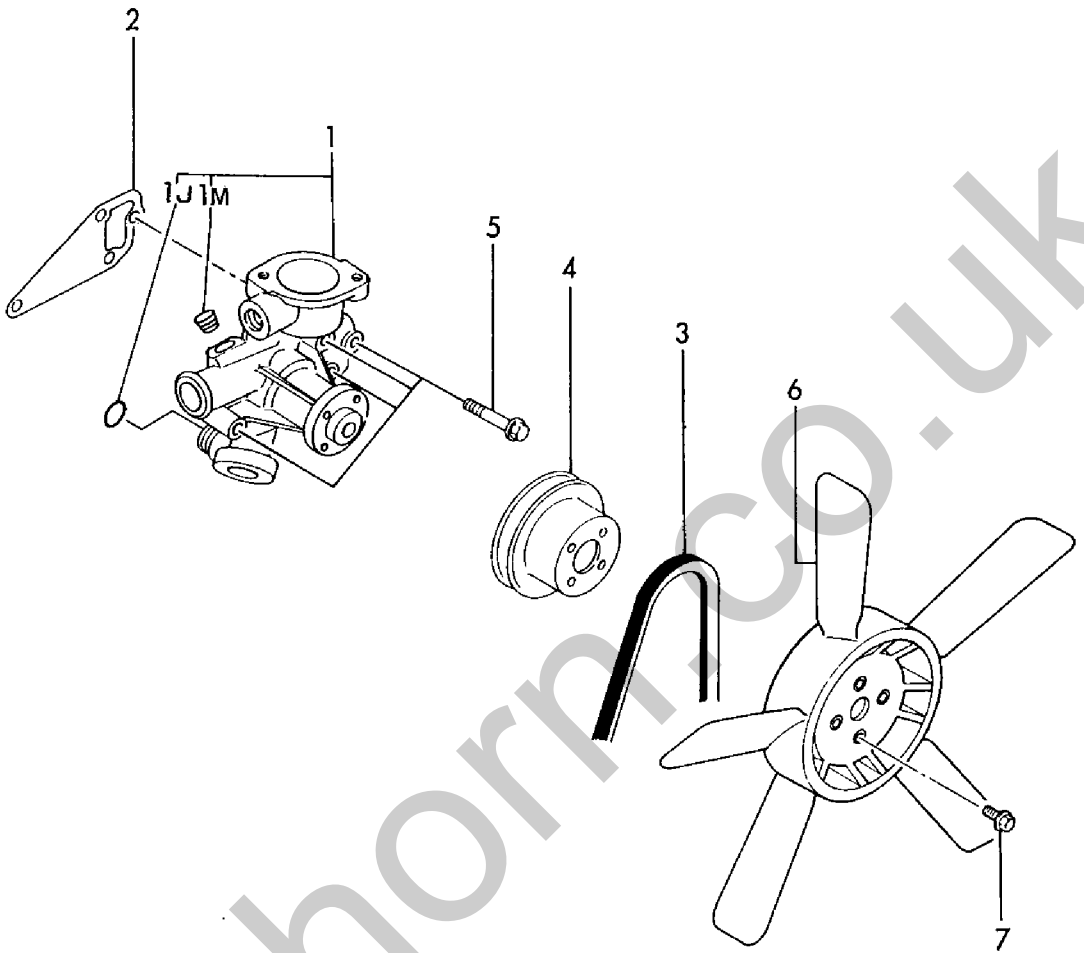


1,1,,119660-42003,, "PUMP ASSY, C. WATER",1,,,,,,,,,,,,,  
1-1,1,,119660-42004,, "PUMP ASSY, C. WATER",1,,,,,,N,,E26216,,,,,  
1J,2,,119620-42320,,O-RING,1,,,,,,,,,,,,,  
1M,2,,23871-030000,, "PLUG PT3/8,SCREW",1,,,,,,,,,,,,,  
2,1,,119620-42020,, "GASKET, C.W. PUMP",1,,,,,,,,,,,,,  
3,1,,119656-42290,,V-BELT,1,,,,,,,,,,,,,  
3-1,1,,119640-42290,, "V-BELT FM=36.5",1,,,,,,N,,\*1986.03,,,,,  
4,1,,119656-42350,, "V-PULLEY, C.W. PUMP",1,,,,,,,,,,,,,  
5,1,,26106-080452,, "BOLT M 8X 45 PLATED",4,,,,,,,,,,,,,  
6,1,,124700-44740,, "FAN, COOLING",1,,,,,,,,,,,,,  
7,1,,26014-060162,, "BOLT M 6X 16",4,,,,,,,,,,,,,

Silverhorn.CO.UK

Fig. **18** CWポンプ  
COOLING WATER PUMP

SPEC. CODE  
D19600-44400  
D19621-42120  
D19631-42300

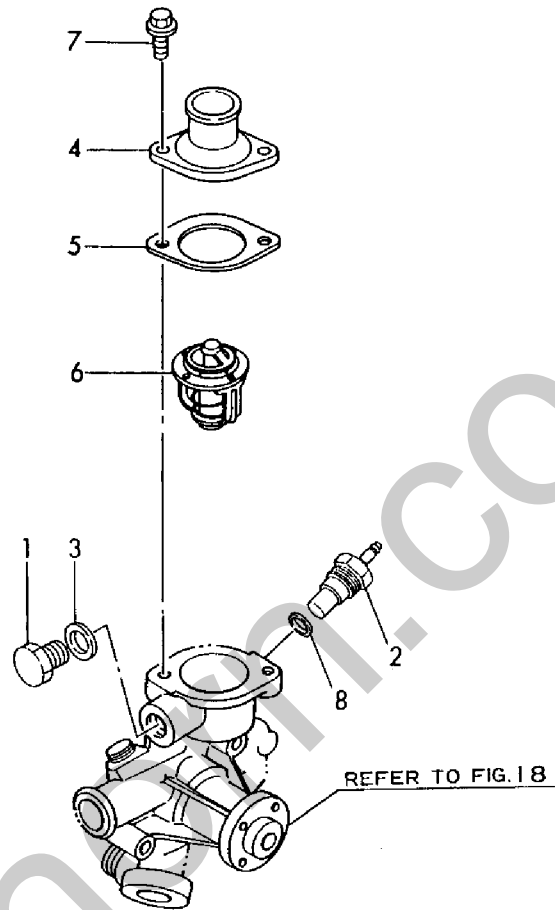


1,1,,121450-42450,, "PLUG M16",1,,,,,,,,,,,,,  
2,1,,124250-49351,, THERMOMETER,1,,,,,,,,,,,,,  
3,1,,124465-44950,, "GASKET 16",1,,,,,,,,,,,,,  
4,1,,129350-49530,, "COVER, THERMOSTAT",1,,,,,,,,,,,,,  
5,1,,129350-49540,, "GASKET, THERMO.COVER",1,,,,,,,,,,,,,  
5-1,1,,129350-49541,, "GASKET, THERMO.COVER",1,,,,,N,,E26216,,,,,  
6,1,,129350-49800,, "THERMOSTAT (71°C)",1,,,,,,,,,,,,,  
7,1,,26106-080202,, "BOLT M 8X 20 PLATED",2,,,,,,,,,,,,,  
8,1,,129150-49360,, "GASKET 10",1,,,,,,,,,,,,,

Silverhorn.CO.UK

Fig. **19** サーモスタット  
THERMOSTAT

SPEC. CODE  
D19631-49200  
D19631-49610



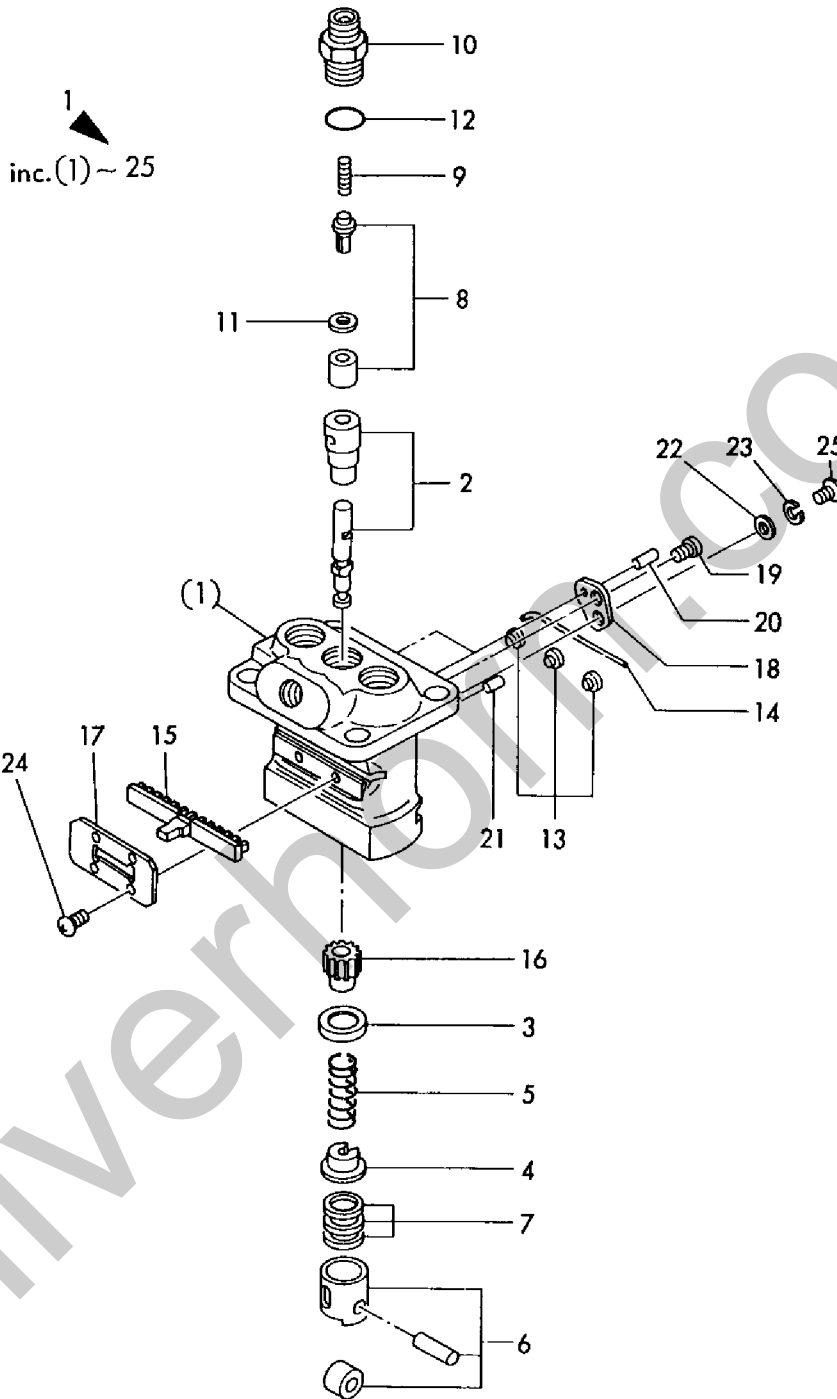
1,1,,719621-51100,, "PUMP ASSY, F.INJECT.",1,,,,,,,,,,,,,  
2,2,,119620-51101,, "PLUNGER W/BARREL",3,,,,,,,,,,,,,  
3,2,,119620-51170,, "RETAINER",3,,,,,,,,,,,,,  
4,2,,119620-51180,, "RETAINER",3,,,,,,,,,,,,,  
5,2,,119620-51190,, "SPRING, PLUNGER",3,,,,,,,,,,,,,  
6,2,,119620-51700,, "TAPPET ASSY",3,,,,,,,,,,,,,  
7,2,,119620-51250,, "SHIM PACK",3,,,,,,,,,,,,,  
8,2,,119620-51300,, "VALVE W/SEAT, DELIV.",3,,,,,,,,,,,,,  
9,2,,105546-51330,, "SPRING, DELIV. VALVE",3,,,,,,,,,,,,,  
10,2,,119620-51340,, "HOLDER, DELIV. VALVE",3,,,,,,,,,,,,,  
11,2,,119620-51350,, "GASKET, DELIVERY",3,,,,,,,,,,,,,  
12,2,,119620-51370,, "O-RING",3,,,,,,,,,,,,,  
13,2,,119620-51450,, "GUIDE, PLUNGER",3,,,,,,,,,,,,,  
14,2,,119620-51461,, "PIN",1,,,,,,,,,,,,,  
15,2,,119660-51500,, "RACK",1,,,,,,,,,,,,,  
16,2,,119620-51510,, "PINION",3,,,,,,,,,,,,,  
17,2,,119660-51530,, "RETAINER, RACK",1,,,,,,,,,,,,,  
18,2,,119620-51650,, "PLATE",2,,,,,,,,,,,,,  
19,2,,119620-51660,, "SCREW",2,,,,,,,,,,,,,  
20,2,,119620-51670,, "PIN",2,,,,,,,,,,,,,  
21,2,,119620-51680,, "PIN",1,,,,,,,,,,,,,  
22,2,,22137-040000,, "WASHER 4",2,,,,,,,,,,,,,  
23,2,,22217-040000,, "SPRING WASHER 4",2,,,,,,,,,,,,,  
24,2,,26022-040082,, "SCREW M 4X 8",4,,,,,,,,,,,,,  
25,2,,26587-040102,, "SCREW M 4X 10",2,,,,,,,,,,,,,

Silverhorn.CO.UK



Fig. **20** FOファンシャポンプ  
FUEL INJECTION PUMP

SPEC. CODE  
D19621-51100

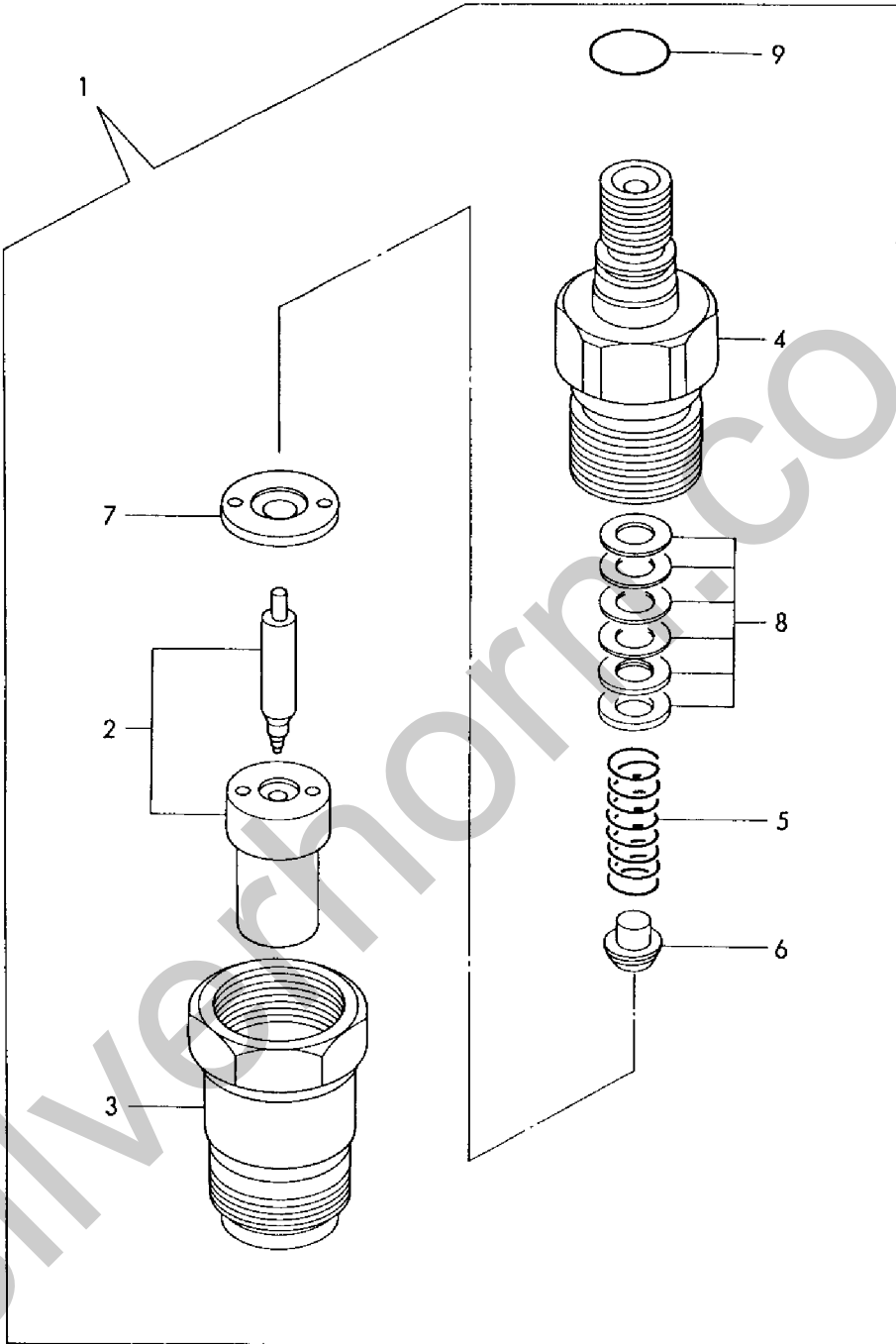


1,1,,719620-53100,, "VALVE ASSY, F.INJECT",3,,,,,,,,,,,,,  
2,2,,119620-53000,, "NOZZLE ASSY.F.INJECT",3,,,,,,,,,,,,,  
3,2,,119620-53080,, "NUT, VALVE W/CASE",3,,,,,,,,,,,,,  
4,2,,119620-53100,, "HOLDER, VALVE W/CASE",3,,,,,,,,,,,,,  
5,2,,119620-53120,, "SPRING, VALVE",3,,,,,,,,,,,,,  
6,2,,114250-53130,, "SPRING, SEAT",3,,,,,,,,,,,,,  
7,2,,119620-53140,, "SPACER, VALVE STOP",3,,,,,,,,,,,,,  
8,2,,114250-53400,, "SHIM PACK",3,,,,,,,,,,,,,  
9,2,,129155-61830,, "O-RING S10",3,,,,,,,,,,,,,

Silverhorn.CO.UK

Fig. **21** FOファンシャベン  
FUEL INJECTION VALVE

SPEC. CODE  
D19620-53100

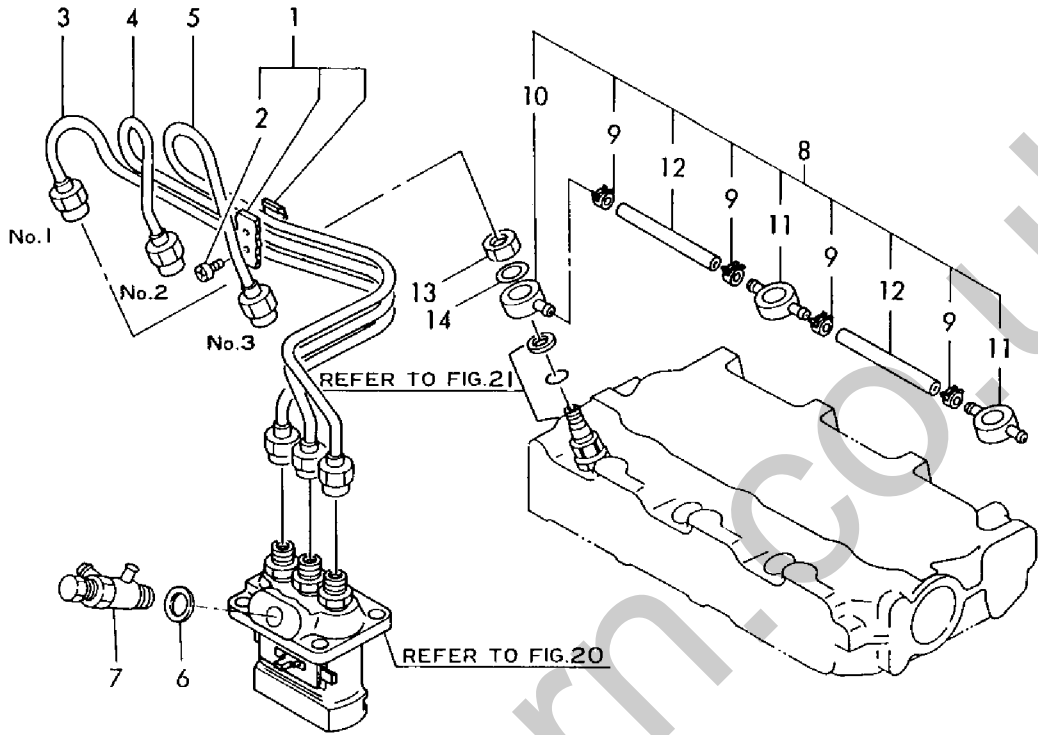


1,1,,129150-59120,, "RETAINER, INJ. PIPE",1,,,,,,,,,,,,,  
2,2,,129150-59130,, "BOLT M 4X 12",2,,,,,,,,,,,,,  
3,2,,119620-59810,, "PIPE (1), F. INJECT.",1,,,,,,,,,,,,,  
3-1,2,,119620-59811,, "PIPE (1),FUEL INJECT",1,,,,,N,,,E12737,,,,,  
4,2,,119620-59820,, "PIPE (2), F. INJECT.",1,,,,,,,,,,,,,  
4-1,2,,119620-59821,, "PIPE (2),FUEL INJECT",1,,,,,N,,,E12737,,,,,  
5,2,,119620-59830,, "PIPE (3), F. INJECT.",1,,,,,,,,,,,,,  
5-1,2,,119620-59831,, "PIPE (3),FUEL INJECT",1,,,,,N,,,E12737,,,,,  
6,1,,104200-59170,, "GASKET 12",1,,,,,,,,,,,,,  
7,1,,129155-59190,, "BOLT, PIPE JOINT",1,,,,,,,,,,,,,  
7-1,1,,129155-59191,, "BOLT, PIPE JOINT",1,,,,,N,,,E26216,,,,,  
8,1,,119620-59540,, "PIPE ASSY, FUEL OVER",1,,,,,,,,,,,,,  
9,2,,124066-59100,, "CLAMP 8",4,,,,,,,,,,,,,  
10,2,,129155-59520,, "JOINT A",1,,,,,,,,,,,,,  
10-1,2,,119260-59520,, "JOINT (B)",1,,,,,N,,,\*1987.03,,,,,  
11,2,,129155-59530,, "JOINT B",2,,,,,,,,,,,,,  
11-1,2,,119260-59530,, "JOINT (A)",2,,,,,N,,,\*1987.03,,,,,  
12,2,,105025-59550,, "PIPE, FUEL RETURN",2,,,,,,,,,,,,,  
13,1,,119620-59700,, "NUT",3,,,,,,,,,,,,,  
14,1,,23414-140000,, "PACKING 14,ROUND",3,,,,,,,,,,,,,

Silverhorn.CO.UK

Fig. **22** FOパイプ  
FUEL LINE

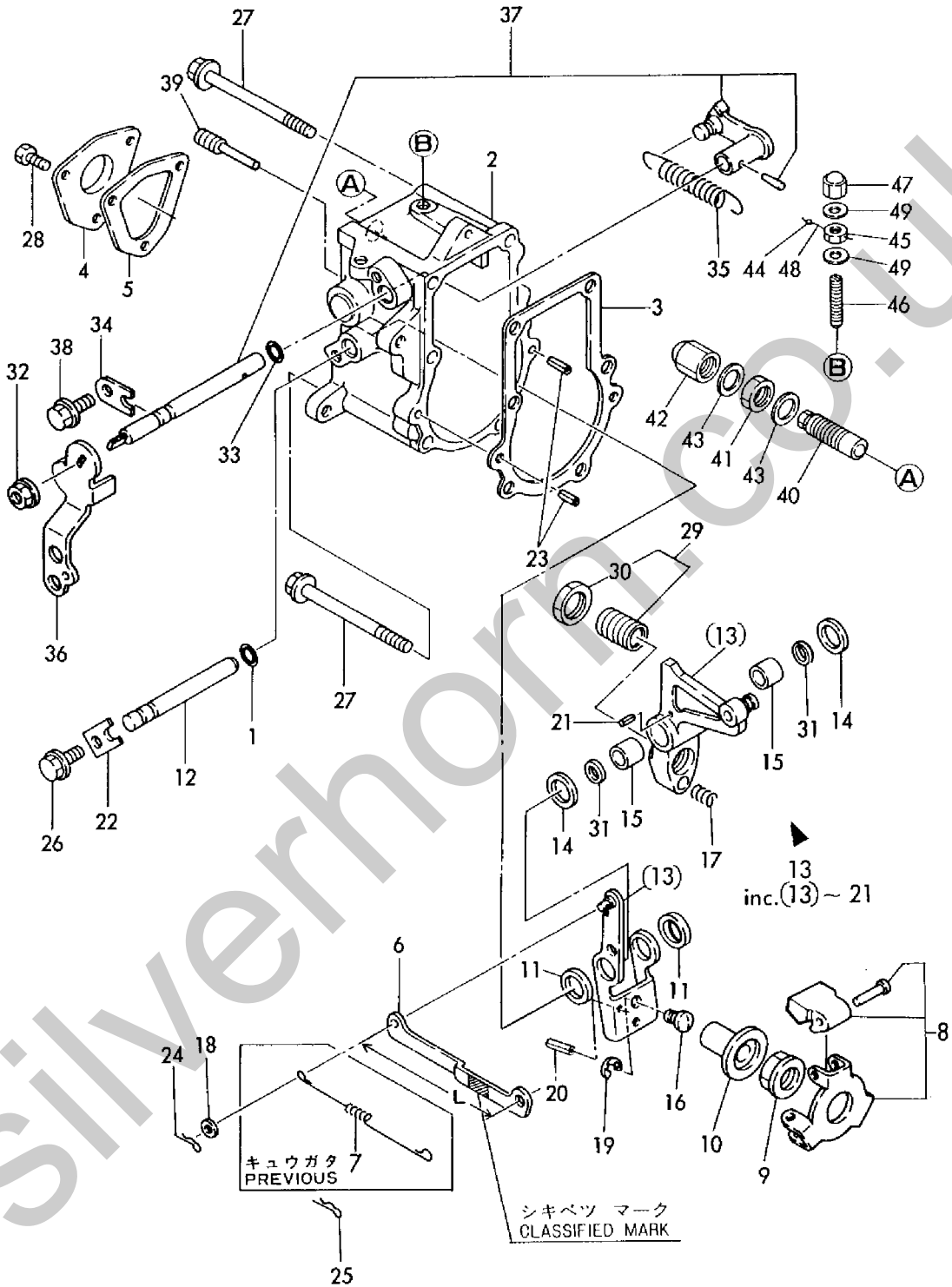
SPEC. CODE  
D19620-59100  
D19631-59200  
D19620-59300



1,1,,129155-51280,, "O-RING S6",1,,,,,,,,,,,,,  
2,1,,119660-61013,, "CASE, GOVERNOR",1,,,,,,,,,,,,,  
3,1,,119660-61051,, "GASKET, GOV. CASE",1,,,,,,,,,,,,,  
3-1,1,,119660-61052,, "GASKET, GOV. CASE",1,,,,,N,,,E26216,,,,,  
4,1,,119660-61060,, "COVER, GOVERNOR CASE",1,,,,,,,,,,,,,  
5,1,,119660-61070,, "GASKET, GOV. CASE",1,,,,,,,,,,,,,  
5-1,1,,119660-61071,, "GASKET, GOV. CASE",1,,,,,N,,,E26216,,,,,  
6,1,,119660-61121,, "LINK L=88.8(NO COLOR)",1,,,,,,,,,,,,,  
6A,1,,119660-61140,, "LINK L=88.6(WHITE)",1,,,,,W,1,,E14921,,,,,  
6B,1,,119660-61150,, "LINK L=89.0(RED)",1,,,,,W,1,,E14921,,,,,  
7,1,,119660-61130,, "SPRING, LINK RETAINER",1,,,,,Z,,,EXXX,,,,,  
8,1,,119600-61200,, "WEIGHT ASSY, GOV.",1,,,,,,,,,,,,,  
9,1,,119660-61300,, "NUT, GOVERNOR WEIGHT",1,,,,,,,,,,,,,  
10,1,,119660-61341,, "SLEEVE, GOVERNOR",1,,,,,,,,,,,,,  
11,1,,129155-61480,, "SPACER ASSY",2,,,,,,,,,,,,,  
12,1,,119660-61491,, "SHAFT, GOVERNOR LEVER",1,,,,,,,,,,,,,  
13,1,,119656-61500,, "LEVER ASSY, GOVERNOR",1,,,,,,,,,,,,,  
14,2,,174307-51700,, "SHIM SET",2,,,,,,,,,,,,,  
15,2,,121450-61520,, "NEEDLE BEARING FJ810",2,,,,,,,,,,,,,  
16,2,,119600-61540,, "SHIFTER",1,,,,,,,,,,,,,  
17,2,,119660-61651,, "SPRING, STARTING",1,,,,,,,,,,,,,  
18,2,,22117-040000,, "WASHER 4",1,,,,,,,,,,,,,  
19,2,,22272-000040,, "CIRCLIP E- 4",1,,,,,,,,,,,,,  
20,2,,22351-020004,, "SPRING PIN 2X 4",1,,,,,,,,,,,,,  
21,2,,22351-030014,, "SPRING PIN 3X14",1,,,,,,,,,,,,,  
22,1,,119660-61901,, "RETAINER, SHAFT",1,,,,,,,,,,,,,  
23,1,,22351-040010,, "SPRING PIN 4X10",2,,,,,,,,,,,,,  
24,1,,22360-040000,, "SNAP PIN 4",1,,,,,,,,,,,,,  
25,1,,22360-060000,, "SNAP PIN 6",1,,,,,,,,,,,,,  
26,1,,26106-060102,, "BOLT M 6X 10 PLATED",1,,,,,,,,,,,,,  
27,1,,26106-060702,, "BOLT M 6X 70 PLATED",6,,,,,,,,,,,,,  
28,1,,26116-050102,, "BOLT M 5X 10 PLATED",3,,,,,,,,,,,,,  
29,1,,119610-66700,, "ANGLEICH ASSY",1,,,,,,,,,,,,,  
30,2,,129155-61590,, "NUT",1,,,,,,,,,,,,,  
31,1,,119660-61460,, "SHIM SET",1,,,,,,,,,,,,,  
32,1,,194990-22050,, "NUT W/WASHER 8",1,,,,,,,,,,,,,  
33,1,,24341-000070,, "O-RING 1A S-7.0",1,,,,,,,,,,,,,  
34,1,,119600-61900,, "RETAINER, SHAFT",1,,,,,,,,,,,,,  
35,1,,119600-66020,, "SPRING, REGULATOR",1,,,,,,,,,,,,,  
36,1,,119640-66051,, "HANDLE, REGULATOR",1,,,,,,,,,,,,,  
37,1,,119621-66091,, "SHAFT ASSY",1,,,,,,,,,,,,,  
38,1,,26106-060102,, "BOLT M 6X 10 PLATED",2,,,,,,,,,,,,,  
39,1,,124250-03640,, "SCREW, STOP",1,,,,,,,,,,,,,  
40,1,,119600-66530,, "TORQUE SPRING ASSY",1,,,,,,,,,,,,,  
41,1,,124772-66750,, "LOCK NUT M12",1,,,,,,,,,,,,,  
42,1,,129100-61930,, "NUT, CAP",1,,,,,,,,,,,,,  
43,1,,43400-500450,, "SEAL WASHER 12",2,,,,,,,,,,,,,  
44,1,,135210-61090,, "LEAD",1,,,,,,,,,,,,,  
45,1,,124550-66370,, "LOCK NUT M 6",1,,,,,,,,,,,,,  
46,1,,121575-66830,, "SCREW, ADJUST",1,,,,,,,,,,,,,  
47,1,,119600-66840,, "NUT, CAP",1,,,,,,,,,,,,,  
48,1,,22451-060000,, "WIRE 0.6",1,,,,,,,,,,,,,  
49,1,,43400-500400,, "SEAL WASHER 6",2,,,,,,,,,,,,,

Fig. 23 ガバナ GOVERNOR

D19610-66100  
 SPEC. CODE D19600-66310  
 D19610-61100 D19640-66400  
 D19610-61200 D19610-66500

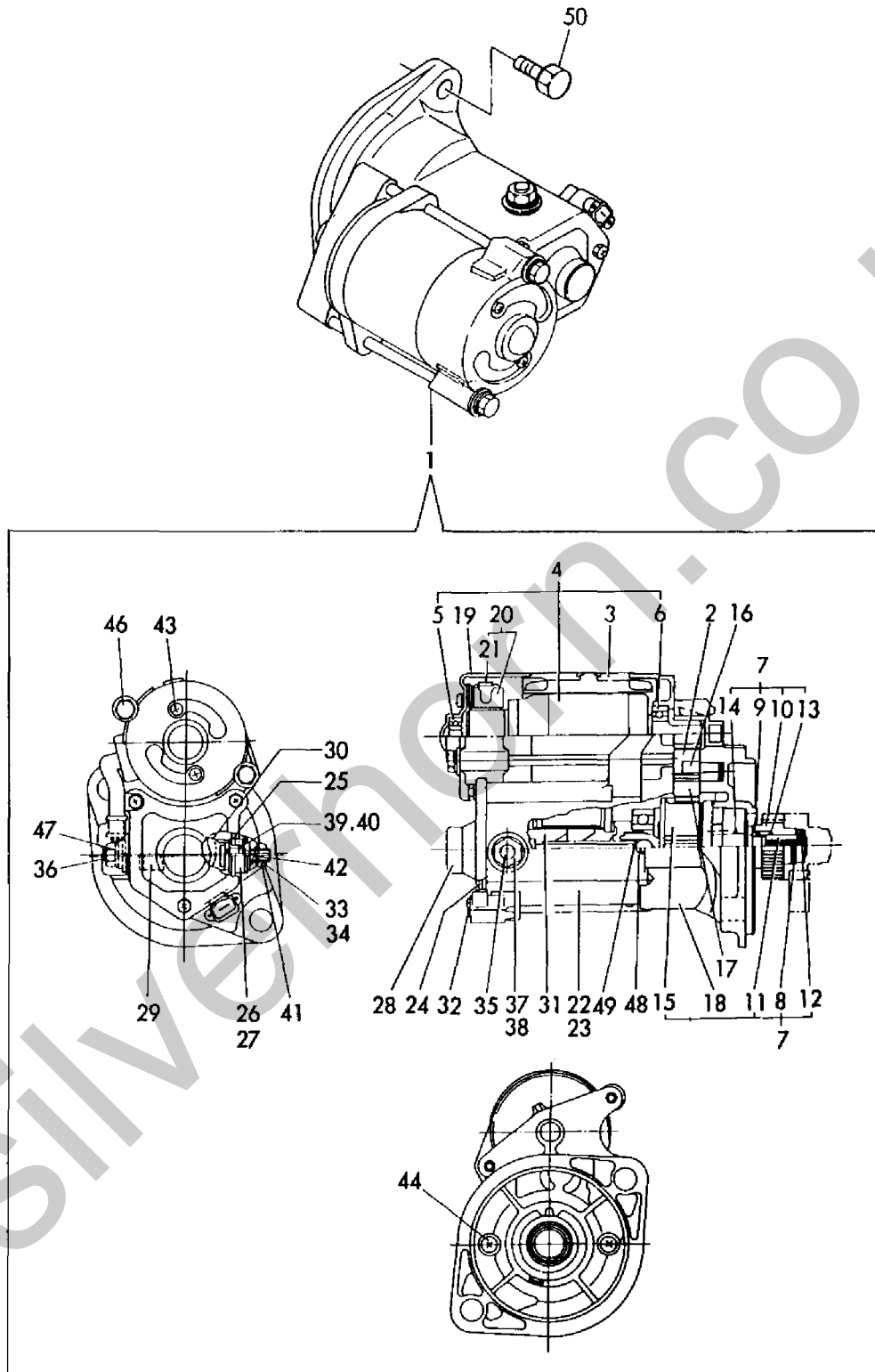


1,1,,119620-77011,, "STARTER 12V-1.0W",1,,,,,,,,,,,,,  
2,2,,X0280630011,,RETAINER,1,,,,,,,,,,,,,  
3,2,,X0281003751,, "YOKE ASSY",1,,,,,,,,,,,,,  
4,2,,X0282001531,, "ARMATURE ASSY",1,,,,,,,,,,,,,  
5,3,,X9491001360,,BEARING,1,,,,,,,,,,,,,  
6,3,,X9491001860,, "BALL BEARING",1,,,,,,,,,,,,,  
7,2,,X0283005050,, "CLUTCH, STARTER",1,,,,,,,,,,,,,  
8,3,,X0280210230,,NUT,1,,,,,,,,,,,,,  
9,3,,X0283270140,,RETAINER,1,,,,,,,,,,,,,  
10,3,,X0283715030,, "PINION, STARTER",1,,,,,,,,,,,,,  
11,3,,X0283810040,,SHAFT,1,,,,,,,,,,,,,  
12,3,,X9490721080,,RING,1,,,,,,,,,,,,,  
13,3,,X9491703371,, "SPRING, COIL",1,,,,,,,,,,,,,  
14,3,,X9491704260,,SPRING,1,,,,,,,,,,,,,  
15,3,,121120-77930,, "CLUTCH ASSY, STARTER",1,,,,,,,,,,,,,  
16,2,,X0283060061,,ROLLER,5,,,,,,,,,,,,,  
17,2,,X0283711420,,PINION,1,,,,,,,,,,,,,  
18,2,,X0284004910,, "HOUSING, STARTER",1,,,,,,,,,,,,,  
19,2,,X0285040631,, "FRAME ASSY",1,,,,,,,,,,,,,  
20,2,,X0285100460,, "HOLDER ASSY, BRUSH",1,,,,,,,,,,,,,  
21,3,,X9491730461,,SPRING,4,,,,,,,,,,,,,  
22,2,,X0534006460,, "SWITCH, MAGNETIC",1,,,,,,,,,,,,,  
23,3,,X0534040320,,GASKET,1,,,,,,,,,,,,,  
24,3,,X0534490120,,BUSH,1,,,,,,,,,,,,,  
25,3,,X0534490120,,BUSH,1,,,,,,,,,,,,,  
26,3,,X0534490230,,BUSH,1,,,,,,,,,,,,,  
27,3,,X0534490230,,BUSH,1,,,,,,,,,,,,,  
28,3,,X0535050620,,COVER,1,,,,,,,,,,,,,  
29,3,,X0535130241,, "PLATE (B)",1,,,,,,,,,,,,,  
30,3,,X0535130320,, "PLATE (A)",1,,,,,,,,,,,,,  
31,3,,X0536600401,,PLUNGER,1,,,,,,,,,,,,,  
32,3,,X9151005141,, "BOLT W/WASHER",3,,,,,,,,,,,,,  
33,3,,X9490170900,,WASHER,1,,,,,,,,,,,,,  
34,3,,X9490170900,,WASHER,1,,,,,,,,,,,,,  
35,3,,X9490441303,,BOLT,1,,,,,,,,,,,,,  
36,3,,X9490441312,,BOLT,1,,,,,,,,,,,,,  
37,3,,X9490502820,,NUT,1,,,,,,,,,,,,,  
38,3,,X9490502820,,NUT,1,,,,,,,,,,,,,  
39,3,,X9491402100,,O-RING,1,,,,,,,,,,,,,  
40,3,,X9491402100,,O-RING,1,,,,,,,,,,,,,  
41,2,,X9019008651,,NUT,1,,,,,,,,,,,,,  
42,2,,X9025808001,,WASHER,1,,,,,,,,,,,,,  
43,2,,X9490071810,, "SCREW W/WASHER",2,,,,,,,,,,,,,  
44,2,,X9490071970,, "SCREW W/WASHER",2,,,,,,,,,,,,,  
45,2,,X9490200710,,WASHER,1,,,,,,Z,,E17308,,,,,  
46,2,,X9490471500,, "BOLT W/WASHER",2,,,,,,,,,,,,,  
46-1,2,,X9490423330,, "BOLT W/WASHER",2,,,,,,N,,E17308,,,,,  
47,2,,X9490561370,,NUT,1,,,,,,,,,,,,,  
48,2,,X9491200240,,BALL,1,,,,,,,,,,,,,  
49,2,,X9491703380,,SPRING,1,,,,,,,,,,,,,  
50,1,,26116-120252,, "BOLT M12X 25 PLATED",2,,,,,,,,,,,,,



Fig. **24** スターティングモータ  
STARTING MOTOR

SPEC. CODE  
D19640-77100

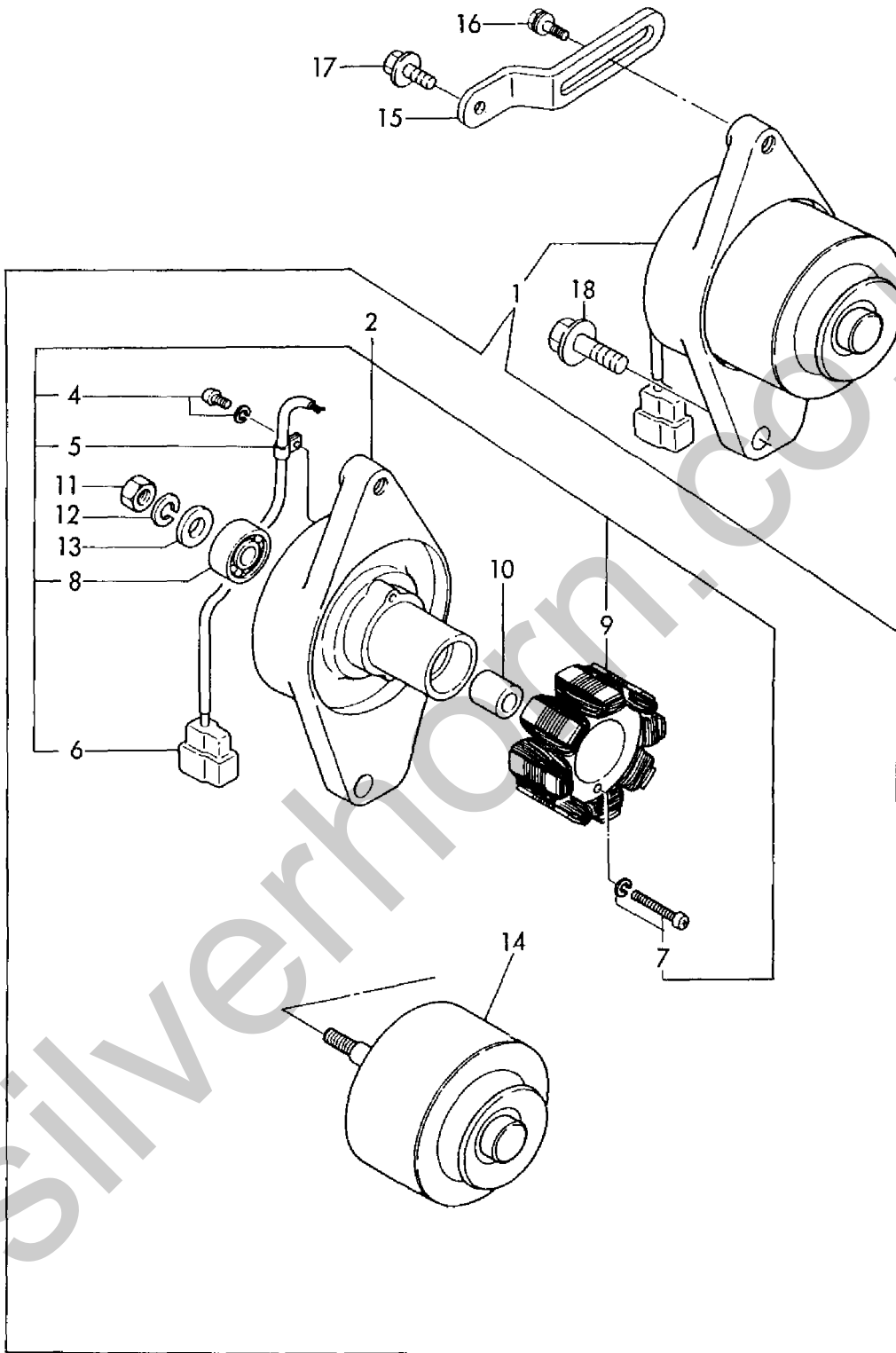


1,1,,129150-77200,,GENERATOR,1,,,,,,,,,,,,,  
1-1,1,,129150-77201,,GENERATOR,1,,,,,,N,,,\*1986.01,,,,,  
1-2,1,,129150-77202,,GENERATOR,1,,,,,,N,,,E22451,,,,,  
2,2,,XM91019,, "PLATE ASSY",1,,,,,,,,,,,,,  
2-1,2,,XM081770000,, "PLATE ASSY",1,,,,,,S,,,\*1986.01,,,,,  
2-2,2,,129150-77210,, "PLATE ASSY",1,,,,,,N,,,E22451,,,,,  
4,3,,XYSPS400800,,SCREW,1,,,,,,,,,,,,,  
5,3,,XM069000000,,CLAMP,1,,,,,,,,,,,,,  
6,3,,XM178780000,,COUPLER,1,,,,,,,,,,,,,  
7,3,,XYSPS402400,,SCREW,2,,,,,,,,,,,,,  
8,3,,24107-062010,, "BALL BEARING",1,,,,,,W,,,EXXX,,,,,  
9,3,,XM91021,,STATER,1,,,,,,,,,,,,,  
9-1,3,,XM081780000,,STATOR,1,,,,,,S,,,\*1986.01,,,,,  
10,2,,XM329830000,,COLLAR,1,,,,,,,,,,,,,  
11,2,,XM863720000,,NUT,1,,,,,,,,,,,,,  
12,2,,XM219230000,, "SPRING WASHER",1,,,,,,,,,,,,,  
13,2,,XM860250000,, "WASHER 10",1,,,,,,,,,,,,,  
14,2,,XM62695,, "FW CMP",1,,,,,,,,,,,,,  
14-1,2,,XM821850000,,PULLEY,1,,,,,,S,,,\*1986.01,,,,,  
14-2,2,,129150-77230,, "FLYWHEEL ASSY",1,,,,,,N,,,E22451,,,,,  
15,1,,119660-77330,, "ADJUSTER, BELT",1,,,,,,,,,,,,,  
16,1,,26014-080252,, "BOLT M 8X 25",1,,,,,,,,,,,,,  
17,1,,26106-080162,, "BOLT M 8X 16 PLATED",1,,,,,,,,,,,,,  
18,1,,26106-100302,, "BOLT M10X 30 PLATED",1,,,,,,,,,,,,,

Silverhorn.CO.UK

Fig. **25** ジェネレータ  
GENERATOR

SPEC. CODE  
D19640-77200

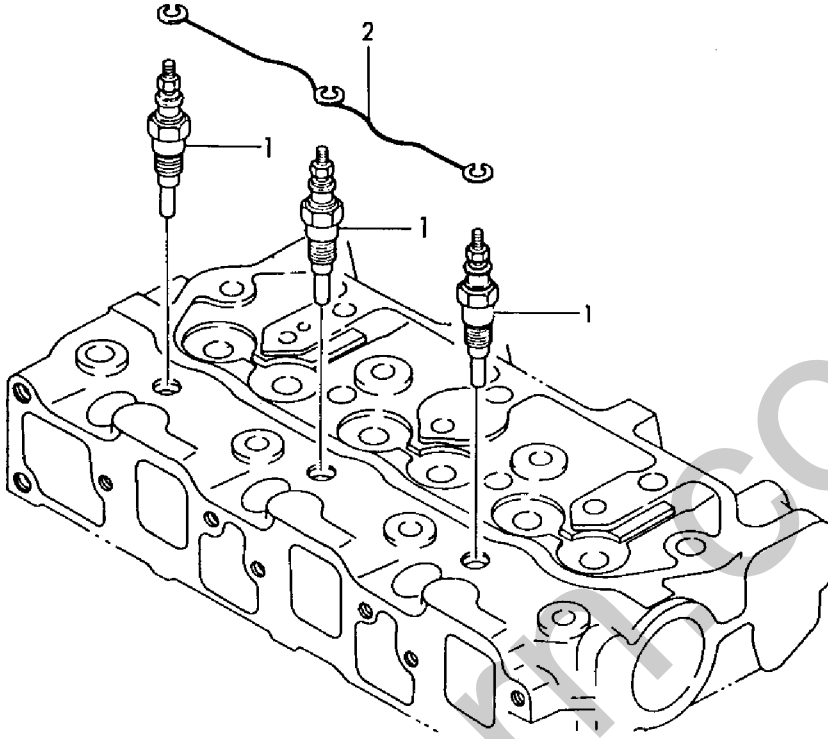


1,1,,129155-77801,, "PLUG, GLOW",3,,,,,,,,,,,,,,,,,,,,,  
2,1,,119620-77820,, "CONNECTOR, GLOW PLUG",1,,,,,,,,,,,,,,,,,,,,,

Silverhorn.CO.UK

Fig. **26** グロープラグ  
GLOW PLUG

SPEC. CODE  
D19631-77300

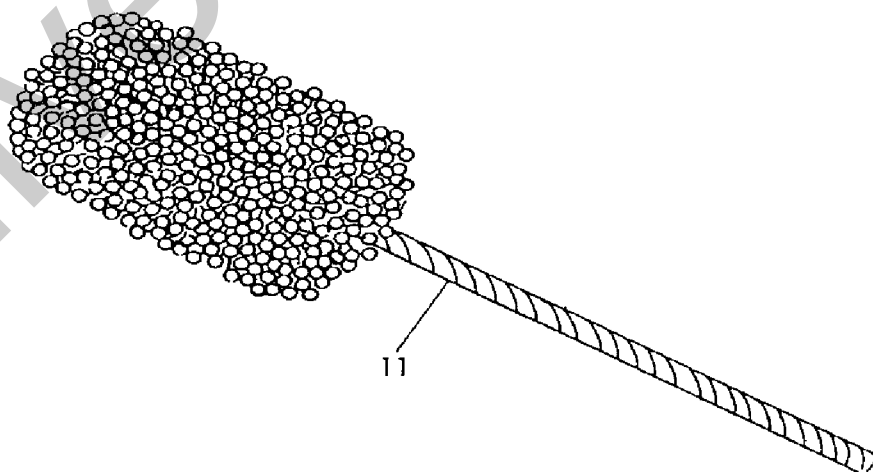
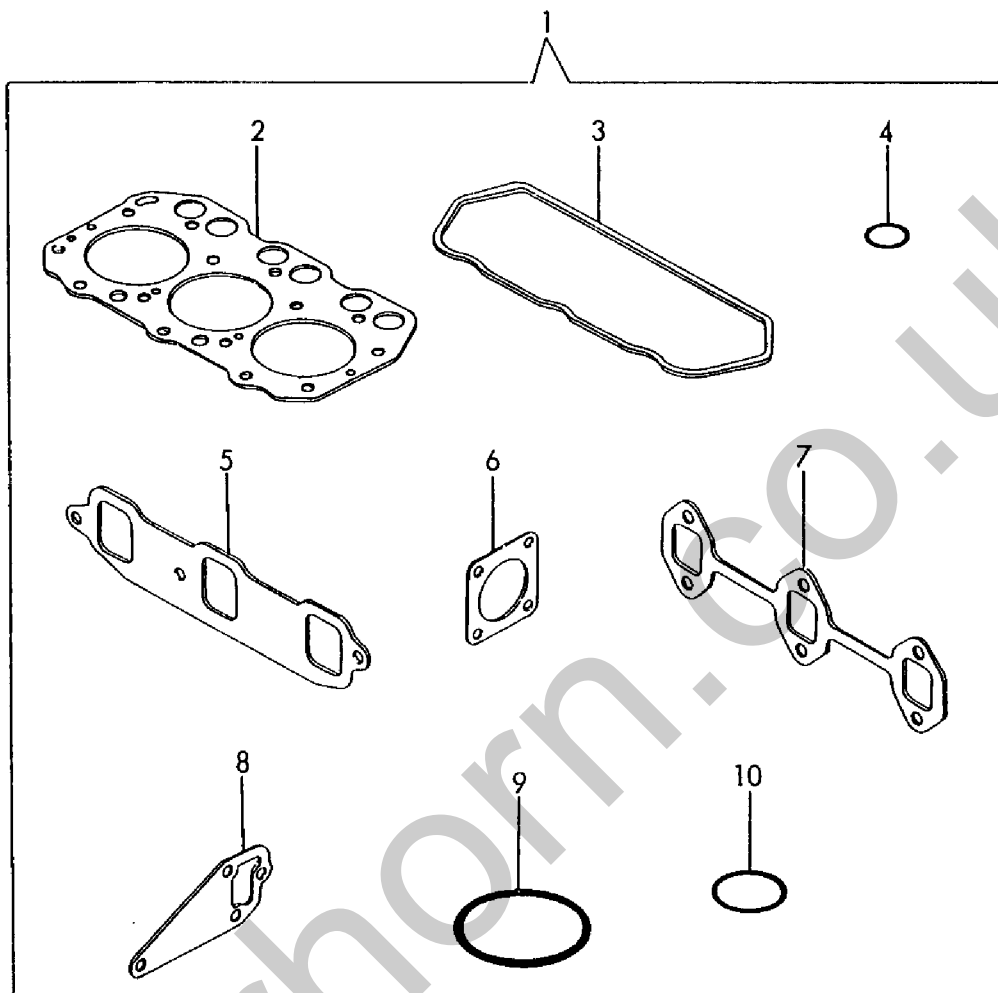


Silverhobby.com.uk

1,1,,719631-92600,, "GASKET SET",1,,,,,,,,,,,,,  
1-1,1,,719631-92601,, "GASKET SET",1,,,,,N,,E26216,,,,,  
2,2,,119620-01340,, "GASKET, CYL. HEAD",1,,,,,,,,,,,,,  
2-1,2,,119610-01340,, "GASKET, CYL. HEAD",1,,,,,R,,\*1985.12,,,,,  
3,2,,119620-11310,, "GASKET, BONNET",1,,,,,,,,,,,,,  
4,2,,24311-000120,, "O-RING 1A P12",1,,,,,,,,,,,,,  
5,2,,119660-12111,, "GASKET, SUC.MANIFOLD",1,,,,,,,,,,,,,  
6,2,,124701-11910,, "GASKET, SILENCER",1,,,,,,,,,,,,,  
6-1,2,,124701-11911,, "GASKET, SILENCER",1,,,,,N,,E26216,,,,,  
7,2,,119620-13110,, "GASKET, EXH.MANIFOLD",1,,,,,,,,,,,,,  
8,2,,119620-42020,, "GASKET, C.W. PUMP",1,,,,,,,,,,,,,  
9,2,,121420-01760,, O-RING,2,,,,,,,,,,,,,  
9-1,2,,24311-000320,, "O-RING 1A P-32.0",2,,,,,N,,E18986,,,,,  
10,2,,24341-000250,, "O-RING 1A S-25.0",1,,,,,,,,,,,,,  
10-1,2,,24341-000240,, "O-RING 1A S-24.0",1,,,,,N,,\*1986.03,,,,,  
11,1,,129400-92410,, "FLEX HORN",1,,,,,,,,,,,,,

Silverhorn.CO.UK

Fig. **27** パッキンセット & トクシュコウグ(オプション)  
GASKET SET & SPECIAL TOOL (OPTIONAL)



0,Y00B3601  
1,001,, "ENGINE 3TNA72L-UBVM"  
2,1,, "CYLINDER BLOCK", 3TNA72L-UBVM,,,  
2,2,, "GEAR HOUSING", 3TNA72L-UBVM,,,  
2,3,, "MOUNTING FLANGE", 3TNA72L-UBVM,,,  
2,4,, "OIL SEAL HOUSING", 3TNA72L-UBVM,,,  
2,5,, "LUB.OIL SUMP", 3TNA72L-UBVM,,,  
2,6,, "CYLINDER HEAD", 3TNA72L-UBVM,,,  
2,7,, "ROCKER ARM", 3TNA72L-UBVM,,,  
2,8,, BONNET, 3TNA72L-UBVM,,,  
2,9,, "AIR CLEANER", 3TNA72L-UBVM,,,  
2,10,, "SUCTION & EXHAUST MANIFOLD", 3TNA72L-UBVM,,,  
2,11,, SILENCER, 3TNA72L-UBVM,,,  
2,12,, CAMSHAFT, 3TNA72L-UBVM,,,  
2,13,, "CRANKSHAFT & FLYWHEEL", 3TNA72L-UBVM,,,  
2,14,, "PISTON & CONNECTING ROD", 3TNA72L-UBVM,,,  
2,15,, "DRIVING GEAR", 3TNA72L-UBVM,,,  
2,16,, "LUB.OIL PUMP", 3TNA72L-UBVM,,,  
2,17,, "LUB.OIL STRAINER", 3TNA72L-UBVM,,,  
2,18,, "COOLING WATER PUMP", 3TNA72L-UBVM,,,  
2,19,, THERMOSTAT, 3TNA72L-UBVM,,,  
2,20,, "FUEL INJECTION PUMP", 3TNA72L-UBVM,,,  
2,21,, "FUEL INJECTION VALVE", 3TNA72L-UBVM,,,  
2,22,, "FUEL LINE", 3TNA72L-UBVM,,,  
2,23,, GOVERNOR, 3TNA72L-UBVM,,,  
2,24,, "STARTING MOTOR", 3TNA72L-UBVM,,,  
2,25,, GENERATOR, 3TNA72L-UBVM,,,  
2,26,, "GLOW PLUG", 3TNA72L-UBVM,,,  
2,27,, "GASKET SET & SPECIAL TOOL(OP)", 3TNA72L-UBVM,,,